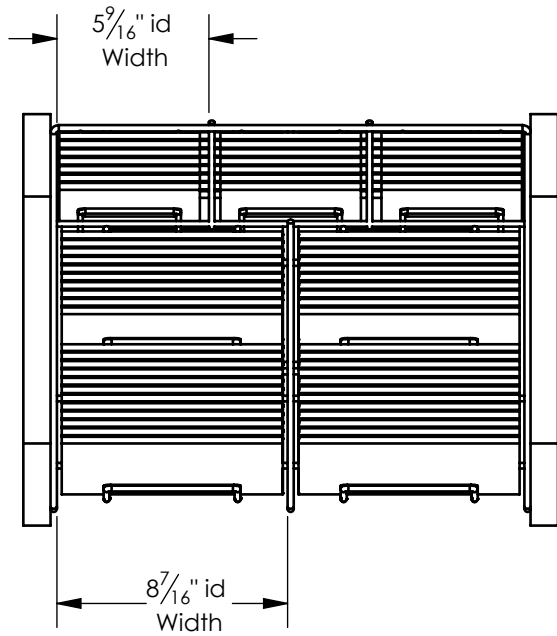


UNLESS OTHERWISE SPECIFIED
DIMENSIONS ARE IN INCHES
TOLERANCES ARE:
FRACTIONS DECIMALS ANGLES
+/- 1/32" +/- .01 +/- 1°
CUSTOMER
Curtis Circulation

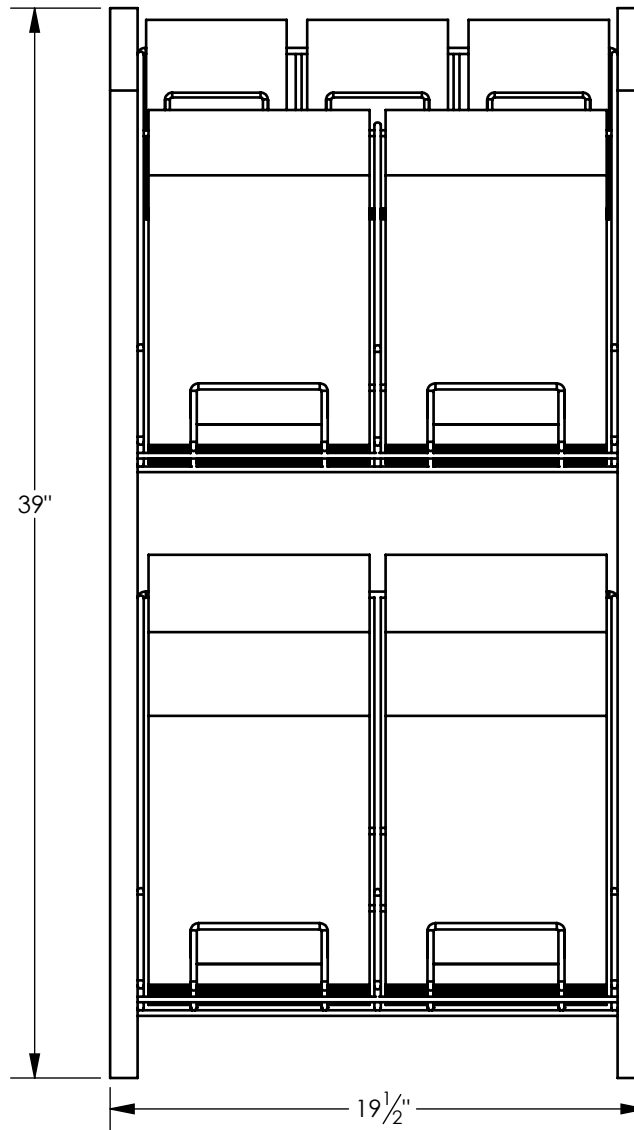
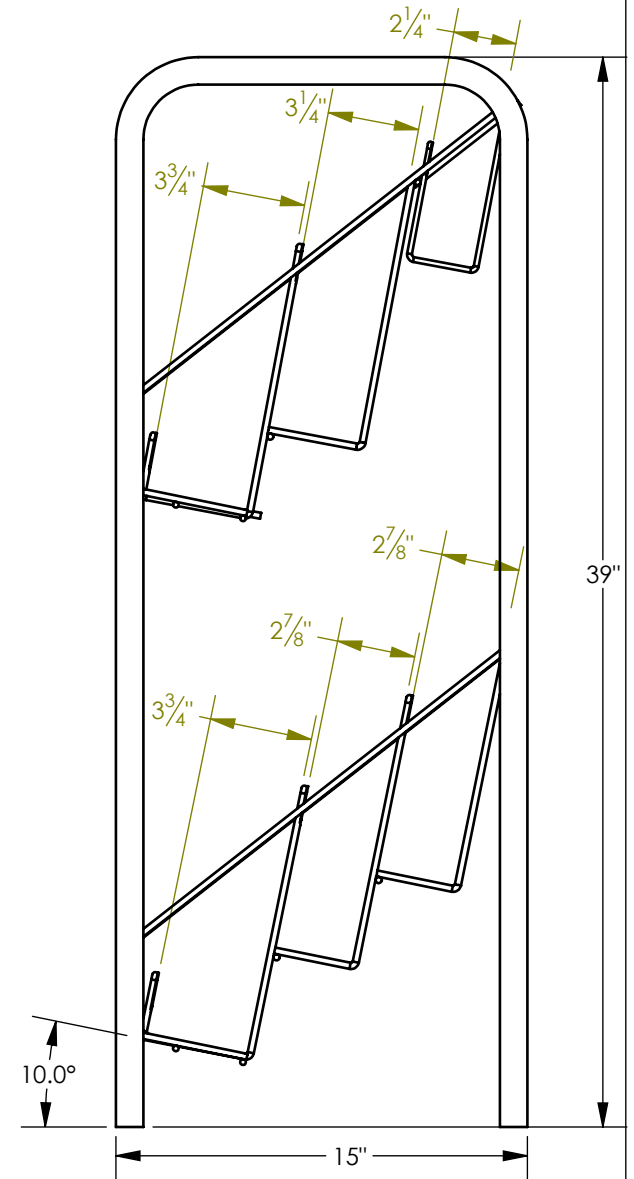
APPROVALS Engineered	DATE
Drawn NRD	5-27-14
Checked	

CDW CREATIVE DISPLAY WORKS INC.	
13 Pocket Tower Display	
SIZE A	DWG. NO. CDW-13-PCKT-TWR
DO NOT SCALE DRAWING	
REV. A	SHEET 1 OF 3

Pocket Widths



Pocket Depths



UNLESS OTHERWISE SPECIFIED
DIMENSIONS ARE IN INCHES
TOLERANCES ARE:
FRACTIONS DECIMALS ANGLES
+/- 1/32" +/- .01 +/- 1°
CUSTOMER
Curtis Circulation

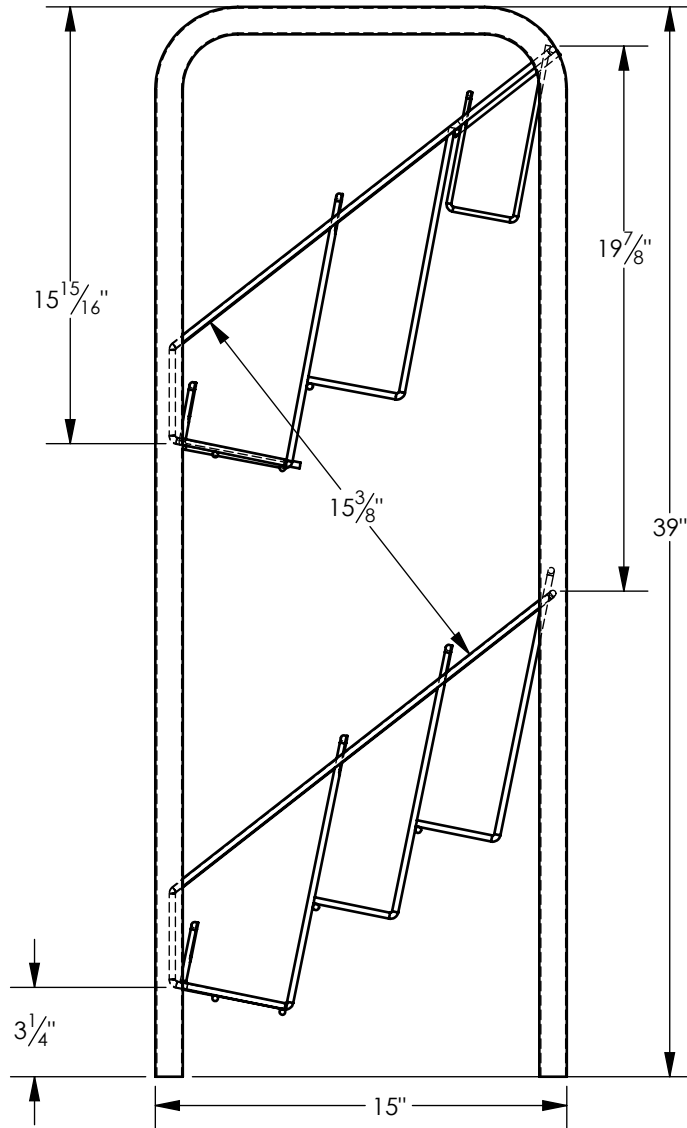
APPROVALS Engineered	DATE
Drawn NRD	5-27-14
Checked	

CDW CREATIVE DISPLAY WORKS INC.

13 Pocket Tower Display

SIZE A	DWG. NO. CDW-13-PCKT-TWR	REV. A
-----------	-----------------------------	-----------

DO NOT SCALE DRAWING SHEET 2 OF 3



CDW CREATIVE DISPLAY
WORKS INC.

13 Pocket Tower Display

UNLESS OTHERWISE SPECIFIED DIMENSIONS ARE IN INCHES TOLERANCES ARE: FRACTIONS DECIMALS ANGLES +/- 1/32" +/- .01 +/- 1°	APPROVALS	DATE	SIZE A	DWG. NO. CDW-13-PCKT-TWR	REV. A
	Drawn NRD	5-27-14			
CUSTOMER Curtis Circulation	Checked		DO NOT SCALE DRAWING		SHEET 3 OF 3