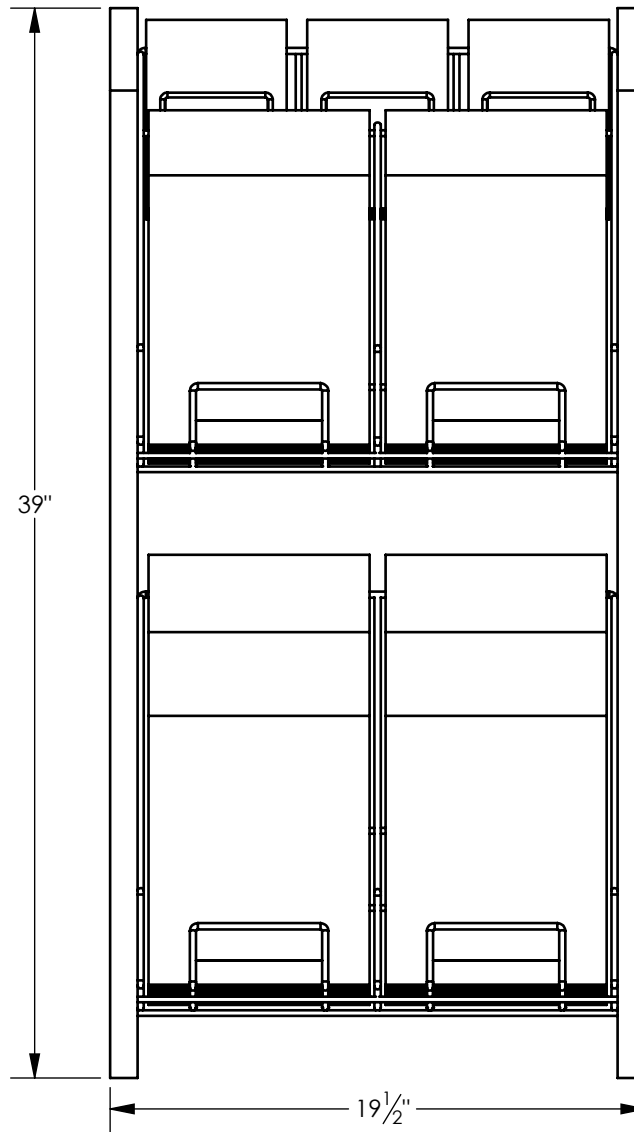
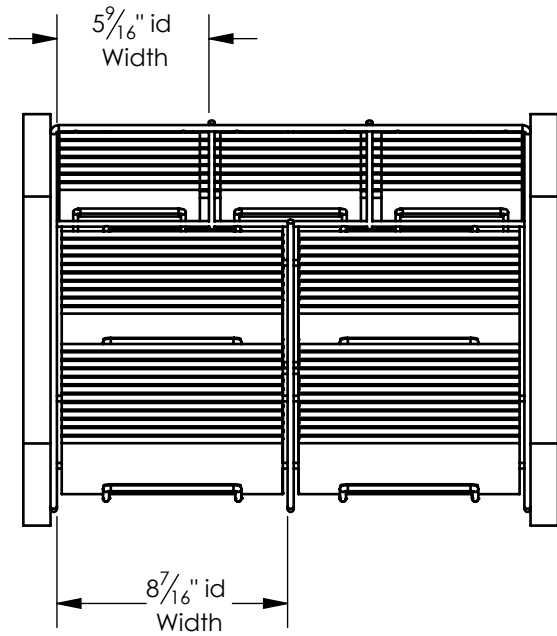


**CDW** CREATIVE DISPLAY  
WORKS INC.

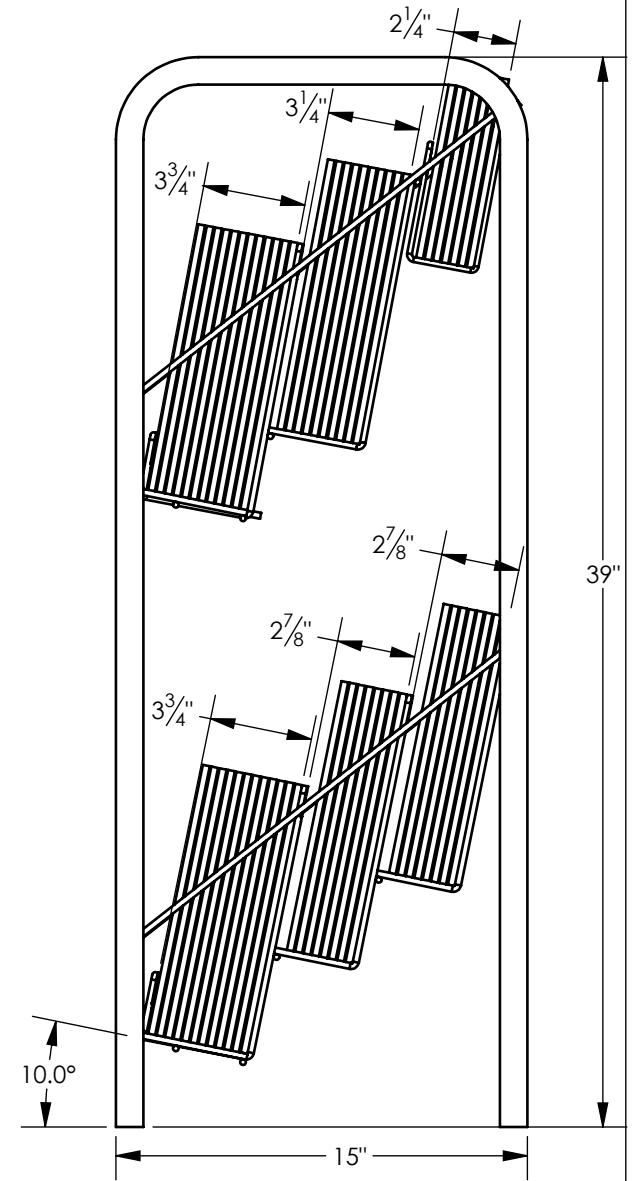
13 Pocket Tower Display

UNLESS OTHERWISE SPECIFIED DIMENSIONS ARE IN INCHES TOLERANCES ARE: FRACTIONS DECIMALS ANGLES +/- 1/32" +/- .01 +/- 1°	APPROVALS	DATE	SIZE A	DWG. NO. CDW-13-PCKT-TWR	REV. A
	Engineered				
CUSTOMER Curtis Circulation	Drawn NRD	5-27-14	DO NOT SCALE DRAWING		
					SHEET 1 OF 2

**Pocket Widths**



**Pocket Depths**



**CDW** CREATIVE DISPLAY WORKS INC.

13 Pocket Tower Display

UNLESS OTHERWISE SPECIFIED DIMENSIONS ARE IN INCHES TOLERANCES ARE: FRACTIONS DECIMALS ANGLES +/- 1/32" +/- .01 +/- 1°	APPROVALS	DATE	SIZE DWG. NO.	REV.
	Drawn NRD	5-27-14		
CUSTOMER Curtis Circulation	Checked		DO NOT SCALE DRAWING	