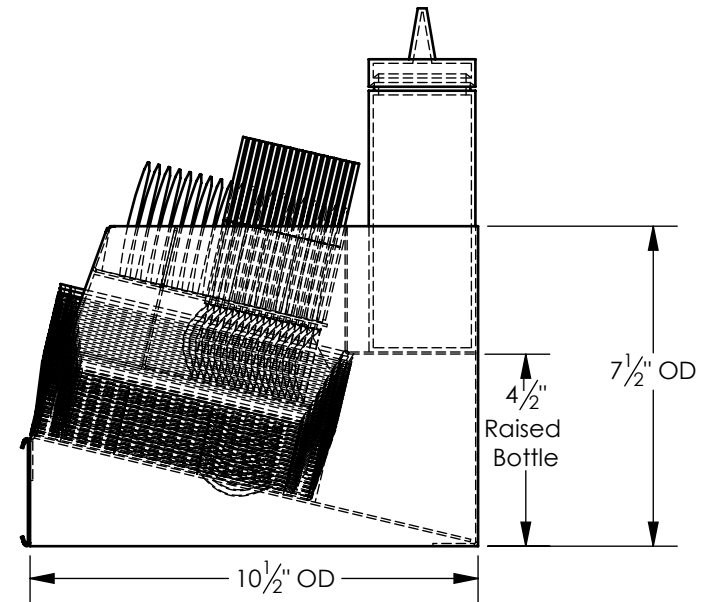
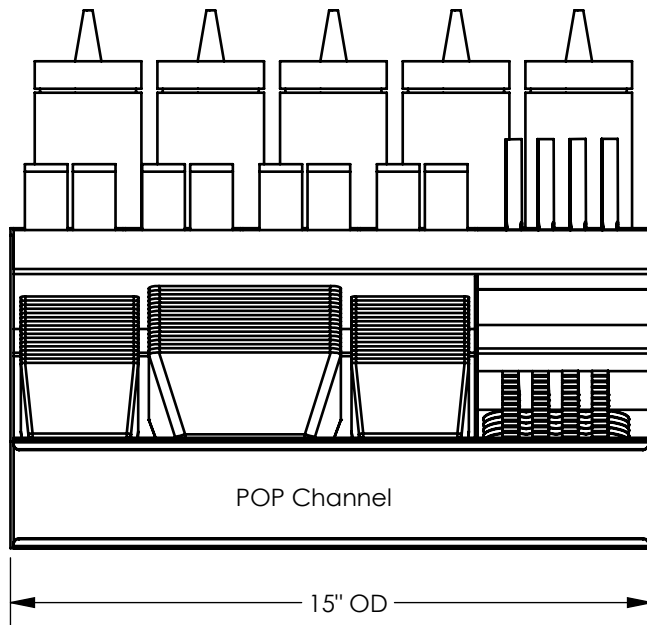
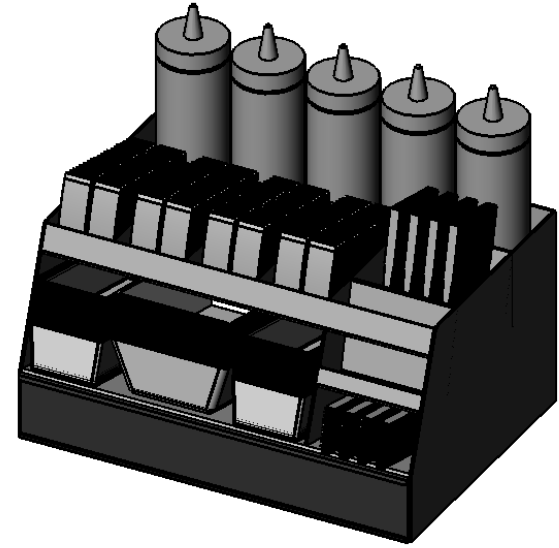
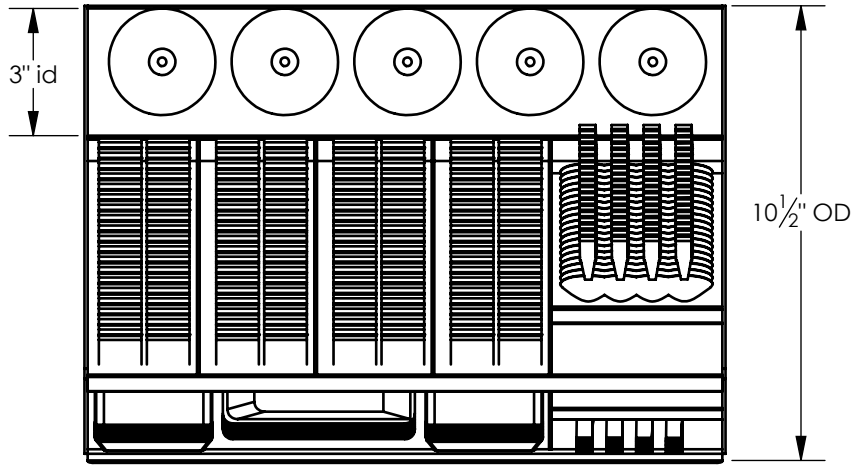


CDW CREATIVE DISPLAY
WORKS INC.

Condiment Caddy- Design 2

UNLESS OTHERWISE SPECIFIED DIMENSIONS ARE IN INCHES TOLERANCES ARE: FRACTIONS DECIMALS ANGLES +/- 1/32" +/- .01 +/- 1°	APPROVALS	DATE	SIZE A	DWG. NO.	REV. A
	Engineered NRD	1/14/14			
CUSTOMER	Drawn NRD	1/14/14	DO NOT SCALE DRAWING		SHEET 1 OF 2
	Checked				



CDW CREATIVE DISPLAY WORKS INC.

Condiment Caddy- Design 2

UNLESS OTHERWISE SPECIFIED DIMENSIONS ARE IN INCHES TOLERANCES ARE: FRACTIONS DECIMALS ANGLES +/- 1/32" +/- .01 +/- 1°	APPROVALS Engineered	DATE 1/14/14	SIZE A	DWG. NO.	REV. A
	Drawn	1/14/14			
CUSTOMER	Checked		DO NOT SCALE DRAWING		SHEET 2 OF 2