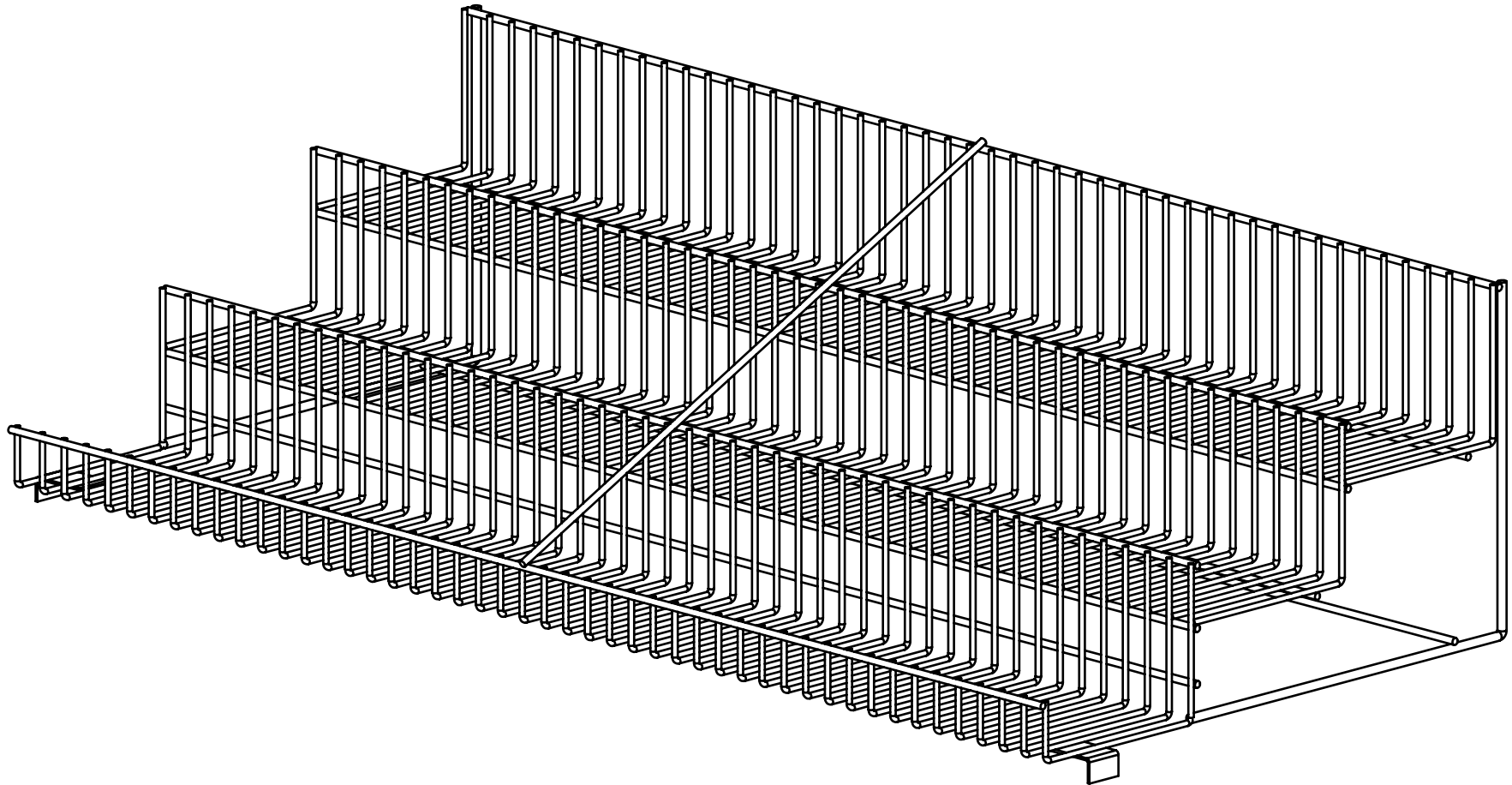


REVISIONS			
REV.	DESCRIPTION	DATE	APPROVED
A	Initial Release	6-13-14	NRD
B	Mesh Lower Tier, Divider, Side tabs	10-13-15	NRD



NOTES:

1. MATERIAL: 7Ga & 10Ga Wire, 4Ga Frame
2. BLANK SIZE: MISSING
3. PROGRAM: MISSING
4. BEND RADIUS: MISSING
5. BEND DEDUCTION: MISSING
6. DEBURR ALL SHARP EDGES AND NIBBLE MARKS.
7. FINISH: MISSING

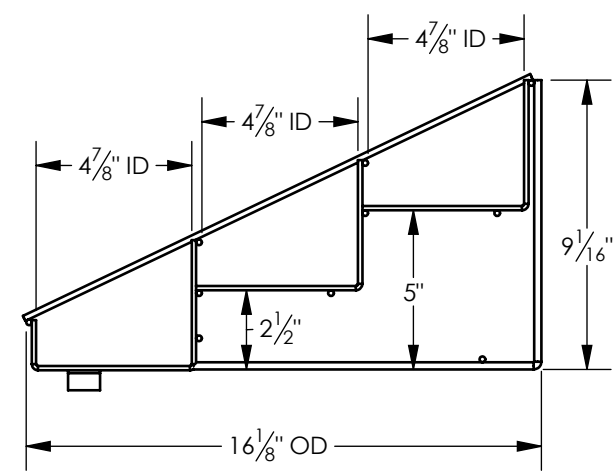
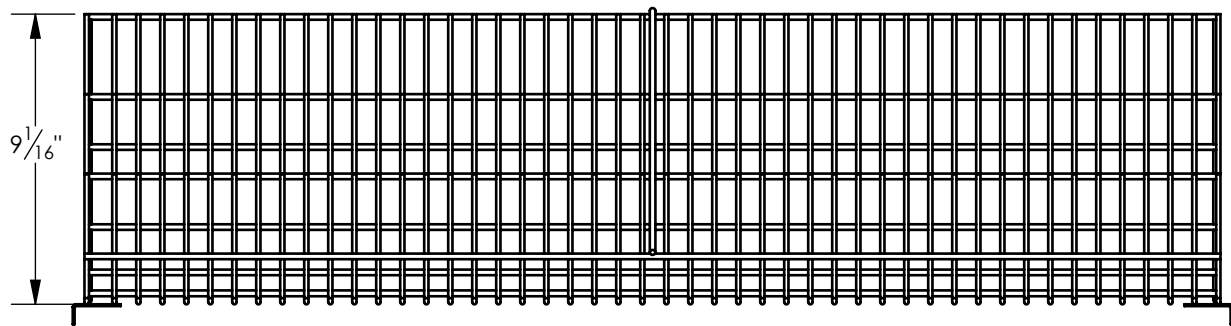
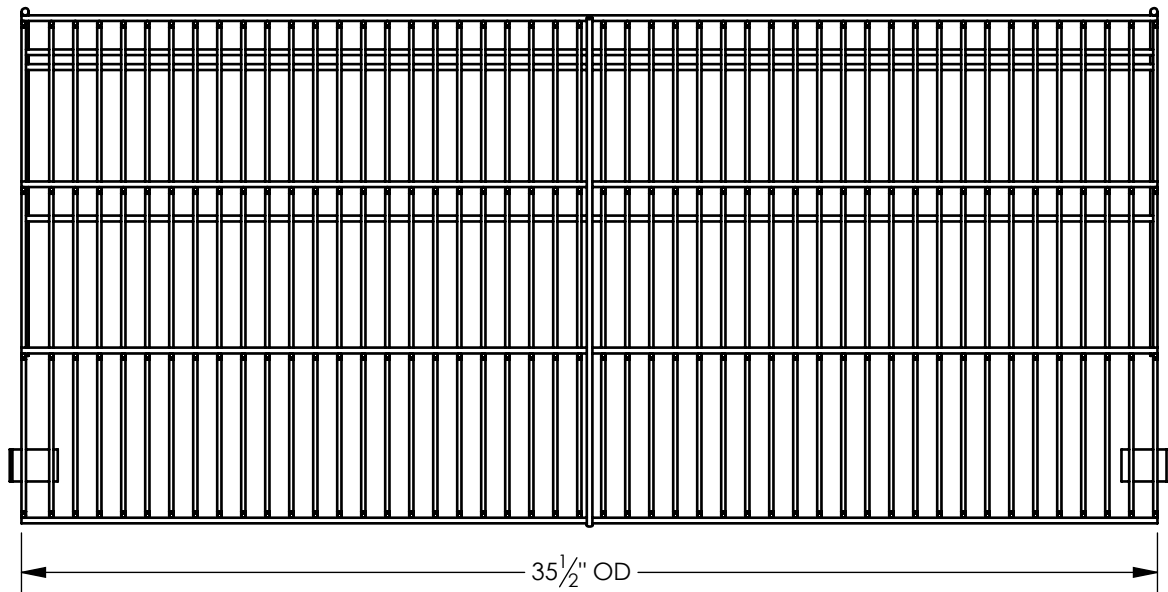
UNLESS OTHERWISE SPECIFIED
DIMENSIONS ARE IN INCHES
TOLERANCES ARE:
FRACTIONS DECIMALS ANGLES
+/- 1/32" +/- .01 +/- 1°

APPROVALS
Engineered
N. Doyle
Drawn
N. Doyle
Checked

DATE
6-17-14
6-17-14

CDW CREATIVE DISPLAY WORKS INC.	
Pastry Riser - 3ft Upper Shelf (3 Tier)	
SIZE A	DWG. NO. CDW-PASTRY-RISER-UPPER-SHELF-3T-3FT
REV. A	SHEET 1 OF 5
DO NOT SCALE DRAWING	

Cirlce-K



NOTES:

1. MATERIAL: 7Ga & 10Ga Wire, 4Ga Frame
2. BLANK SIZE: MISSING
3. PROGRAM: MISSING
4. BEND RADIUS: MISSING
5. BEND DEDUCTION: MISSING
6. DEBURR ALL SHARP EDGES AND NIBBLE MARKS.
7. FINISH: MISSING

UNLESS OTHERWISE SPECIFIED
DIMENSIONS ARE IN INCHES
TOLERANCES ARE:
FRACTIONS DECIMALS ANGLES
+/- 1/32" +/- .01 +/- 1°

CUSTOMER: Circlce-K

APPROVALS	DATE
Engineered N.Doyle	6-17-14
Drawn N.Doyle	6-17-14
Checked	

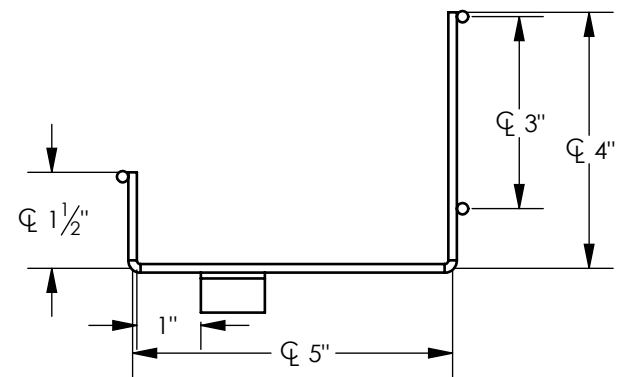
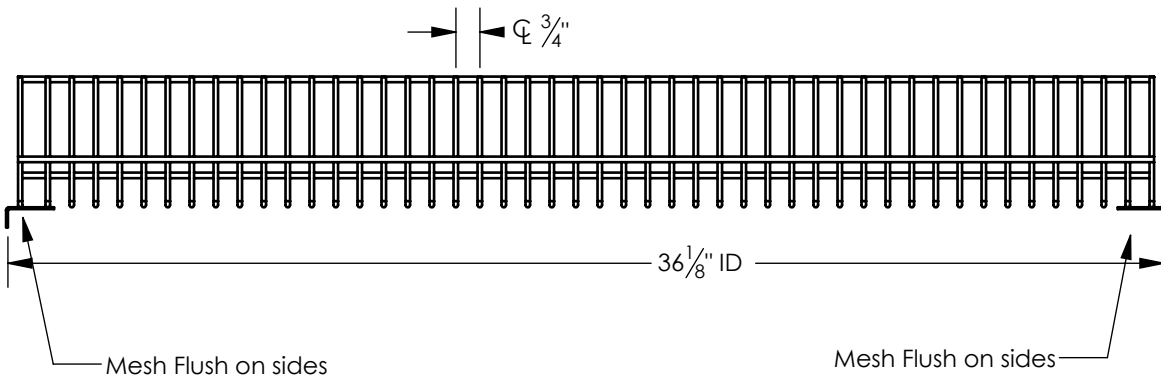
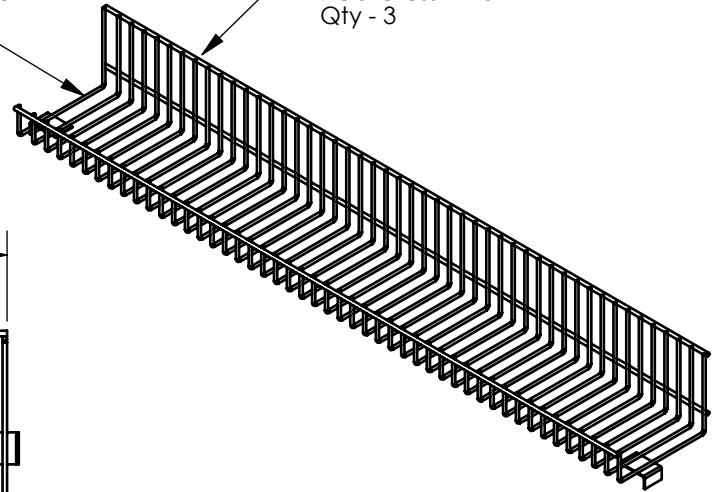
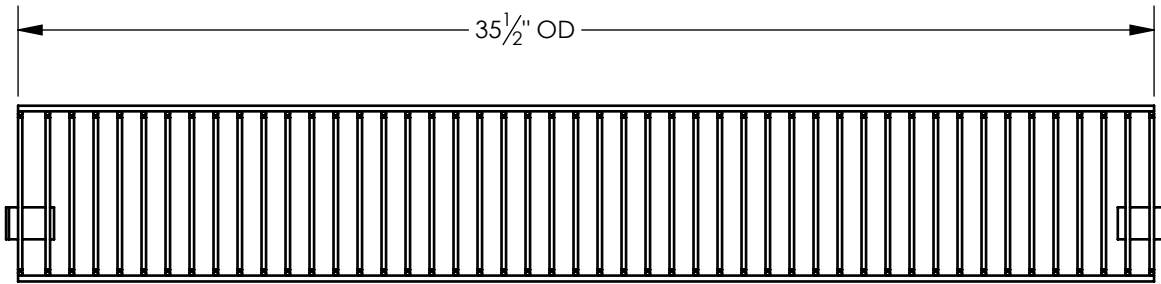
CDW CREATIVE DISPLAY WORKS INC.

Pastry Riser - 3ft Upper Shelf (3 Tier)

SIZE A	DWG. NO. CDW-PASTRY-RISER-UPPER-SHELF-3T-3FT	REV. A
DO NOT SCALE DRAWING		SHEET 2 OF 5

10Ga Mesh Wire
Qty - 5

7Ga Cross Wire
Qty - 3



NOTES:

1. MATERIAL: 10GA MESH, 7GA CROSS
2. BLANK SIZE:
3. PROGRAM:
4. BEND RADIUS:
5. BEND DEDUCTION:
6. DEBURR ALL SHARP EDGES AND NIBBLE MARKS.
7. FINISH:

UNLESS OTHERWISE SPECIFIED
DIMENSIONS ARE IN INCHES
TOLERANCES ARE:
FRACTIONS DECIMALS ANGLES
+/- 1/32" +/- .01 +/- 1°

APPROVALS	DATE
Engineered NRD	10-13-14
Drawn NRD	10-13-14
Checked	

CDW CREATIVE DISPLAY WORKS INC.

Tier #1

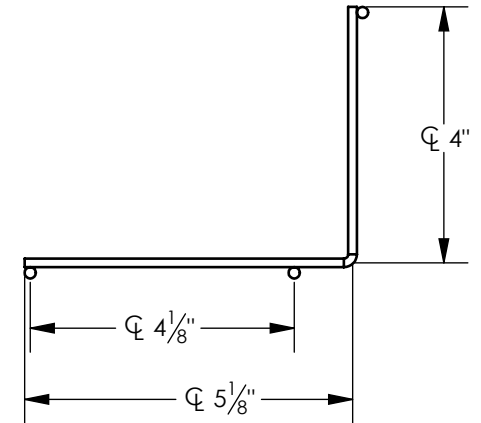
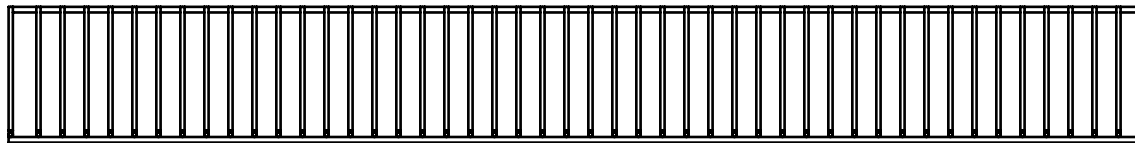
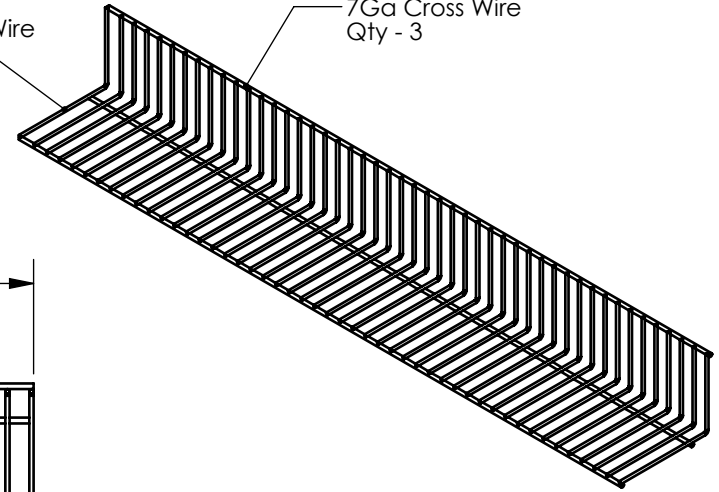
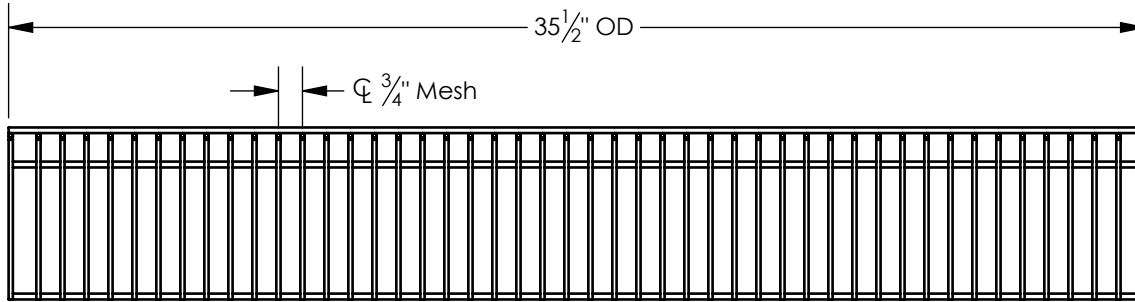
SIZE A	DWG. NO. CDW-PASTRY-TISER-3T-T1-ASM	REV. B
DO NOT SCALE DRAWING		SHEET 3 OF 5

CRICLE-K

2 Per Assembly

10Ga Mesh Wire
Qty - 48

7Ga Cross Wire
Qty - 3



NOTES:

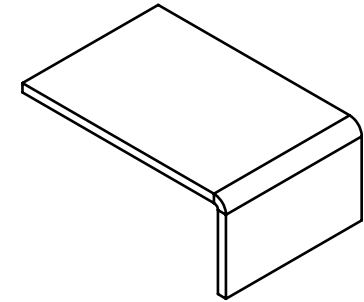
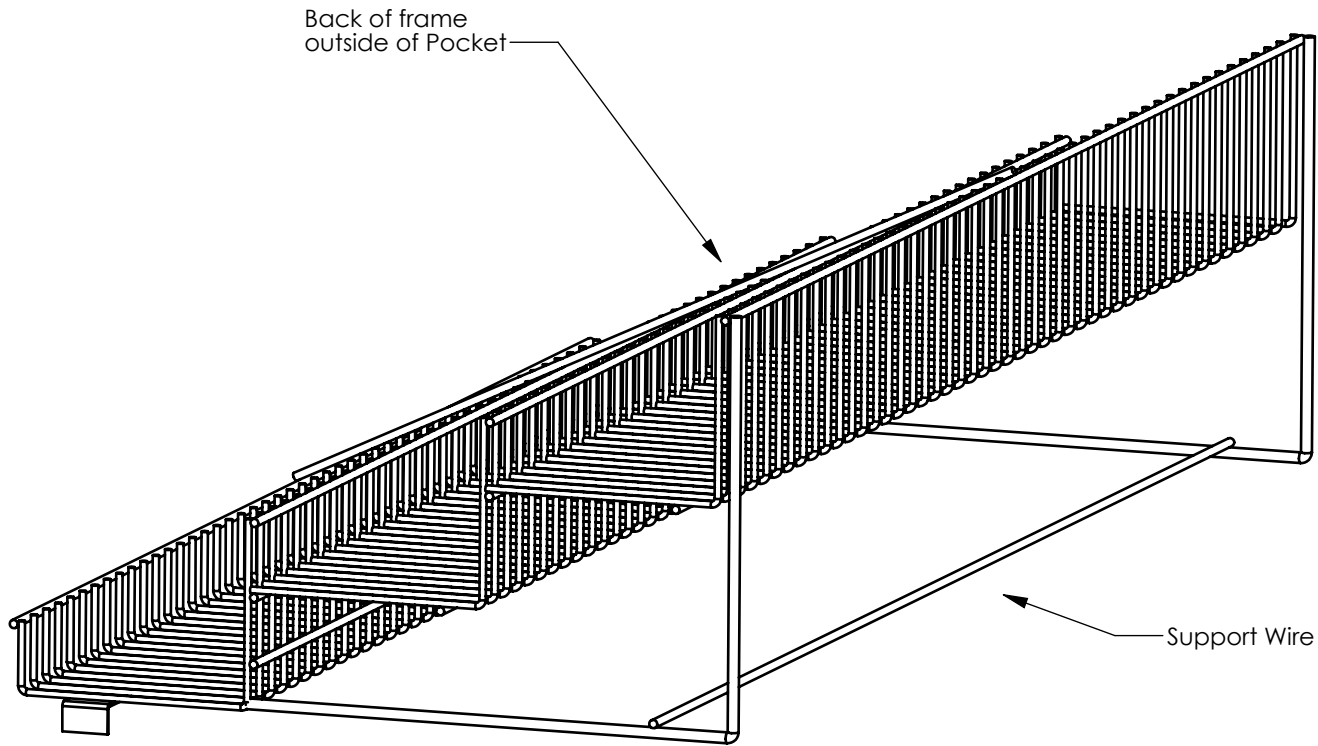
1. MATERIAL: 10GA MESH, 7GA CROSS
2. BLANK SIZE:
3. PROGRAM:
4. BEND RADIUS:
5. BEND DEDUCTION:
6. DEBURR ALL SHARP EDGES AND NIBBLE MARKS.
7. FINISH:

UNLESS OTHERWISE SPECIFIED
DIMENSIONS ARE IN INCHES
TOLERANCES ARE:
FRACTIONS DECIMALS ANGLES
+/- 1/32" +/- .01 +/- 1°

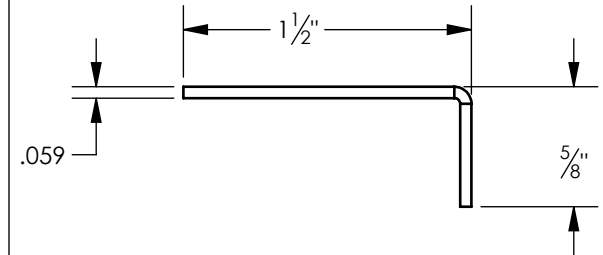
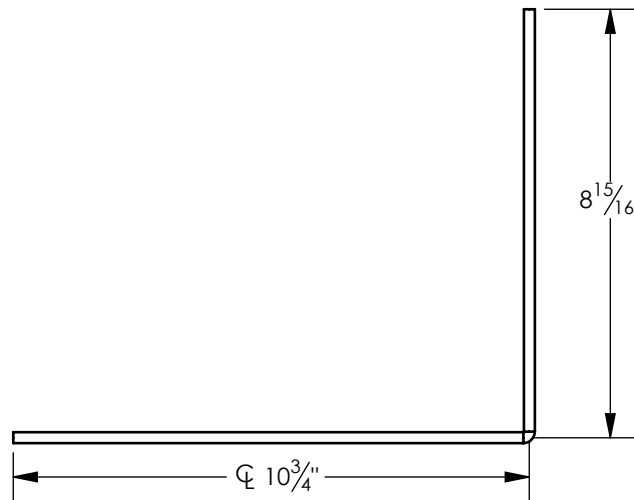
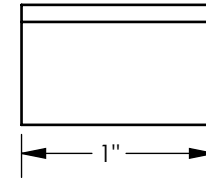
APPROVALS	DATE
Engineered NRD	6-17-14
Drawn NRD	6-17-14
Checked	

CDW CREATIVE DISPLAY WORKS INC.	
TIER 2 & 3	
SIZE A	DWG. NO. CDW-PASTRY-RISER-3T-T2-ASM
DO NOT SCALE DRAWING	
REV. A	SHEET 4 OF 5

CIRCLE-K



16Ga CRS



NOTES:

1. MATERIAL: 4GA WIRE
2. BLANK SIZE:
3. PROGRAM:
4. BEND RADIUS:
5. BEND DEDUCTION:
6. DEBURR ALL SHARP EDGES AND NIBBLE MARKS.
7. FINISH:

UNLESS OTHERWISE SPECIFIED DIMENSIONS ARE IN INCHES		APPROVALS	DATE	CREATIVE DISPLAY WORKS INC.	
TOLERANCES ARE:		Engineered		FRAME	
FRACTIONS	DECIMALS	Drawn		SIZE	DWG. NO.
+/- 1/32"	+/- .01	Checked		A	
ANGLES					REV.
+/- 1°					
CUSTOMER				DO NOT SCALE DRAWING	
				SHEET 5 OF 5	