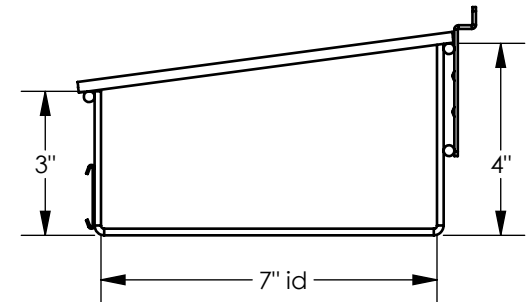
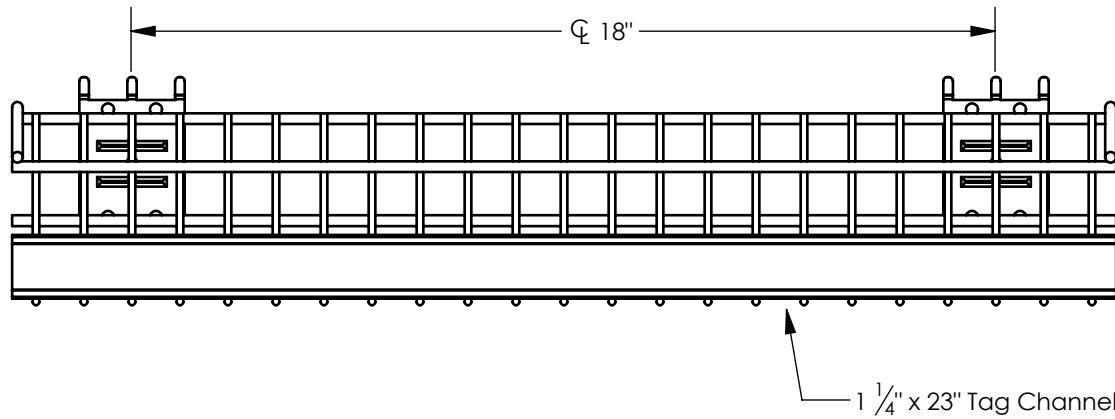
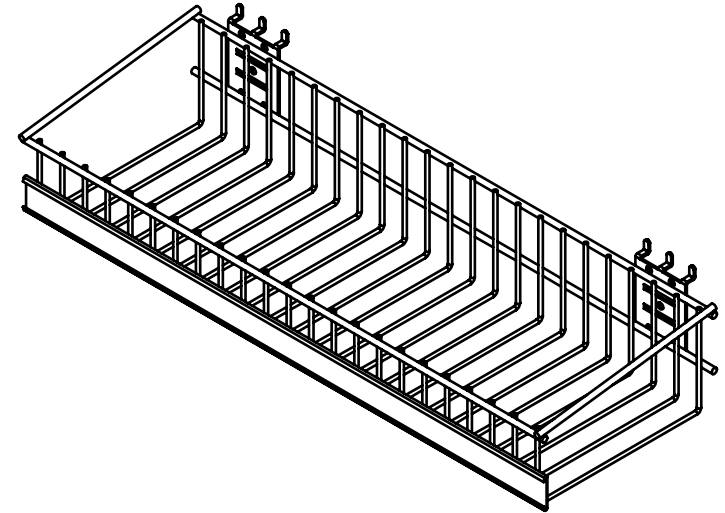
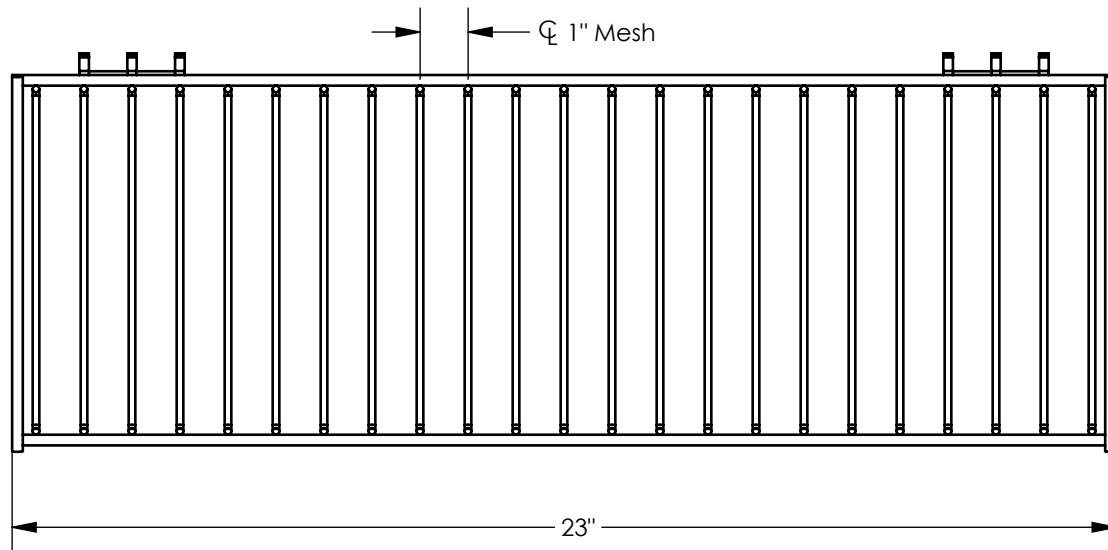


REVISIONS			
REV.	DESCRIPTION	DATE	APPROVED

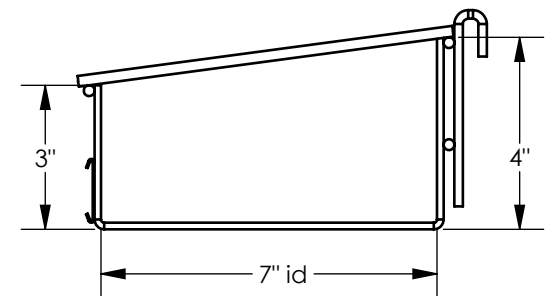
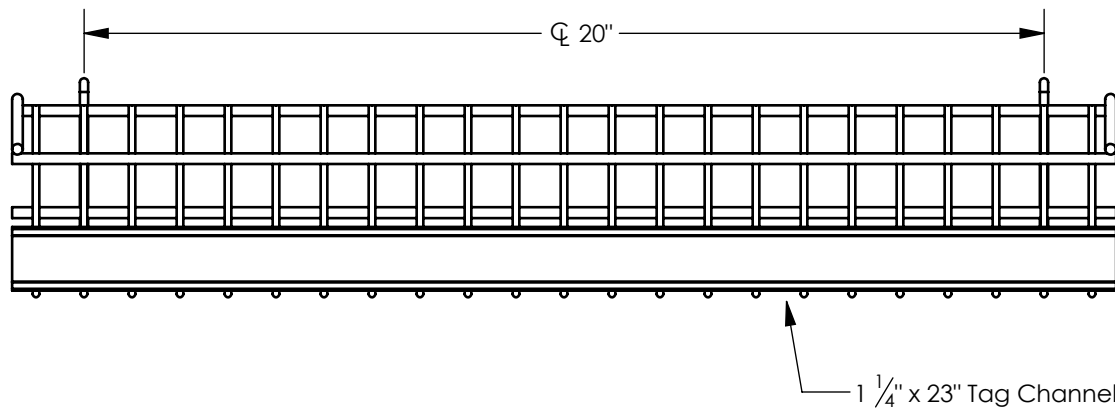
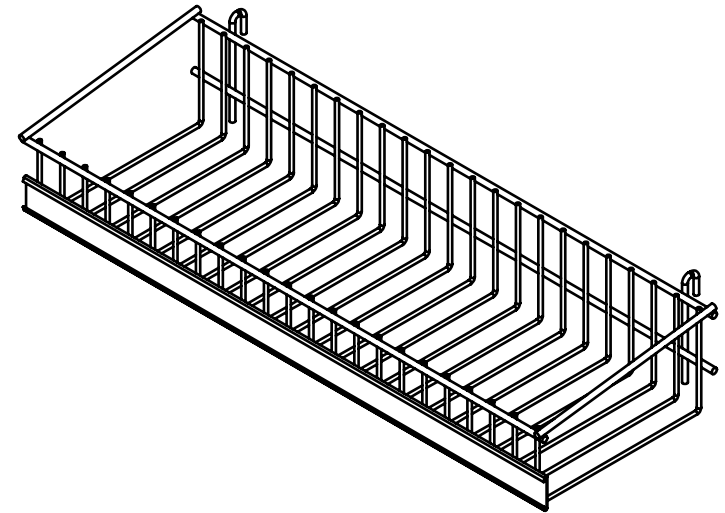
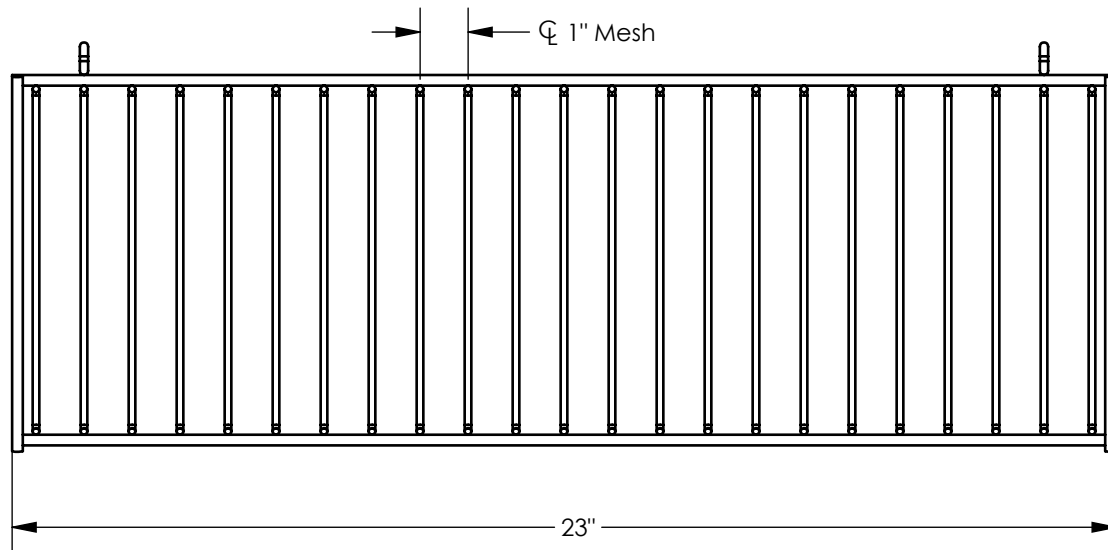


S-3000 Bracket to be used with
pegboard and Channels

UNLESS OTHERWISE SPECIFIED DIMENSIONS ARE IN INCHES TOLERANCES ARE: FRACTIONS DECIMALS ANGLES +/- 1/32" +/- .01 +/- 1° CUSTOMER	APPROVALS	DATE
	Engineered NRD	3-12-15
	Drawn NRD	3-12-15
Circle-K	Checked	

CDW CREATIVE DISPLAY WORKS INC.		
Tower shelf with S3000 bracket for Peg Board and Channels		
SIZE A	DWG. NO. CDW-TOWER-SHELF	REV. A
DO NOT SCALE DRAWING		SHEET 1 OF 3

REVISIONS			
REV.	DESCRIPTION	DATE	APPROVED

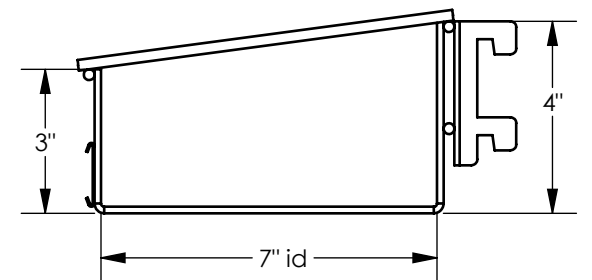
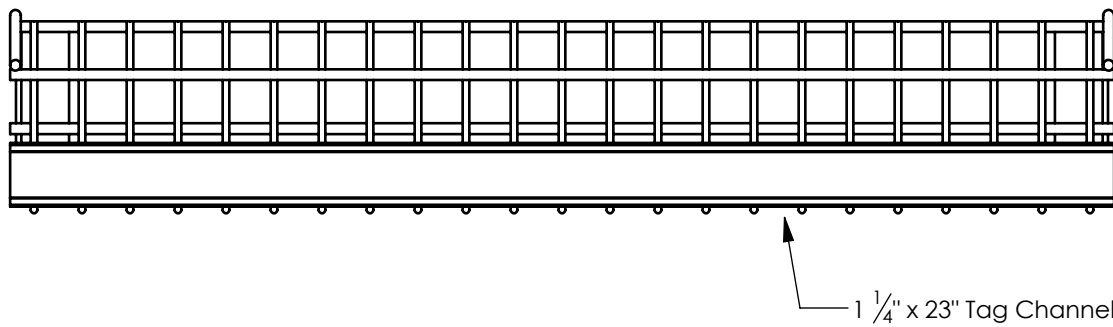
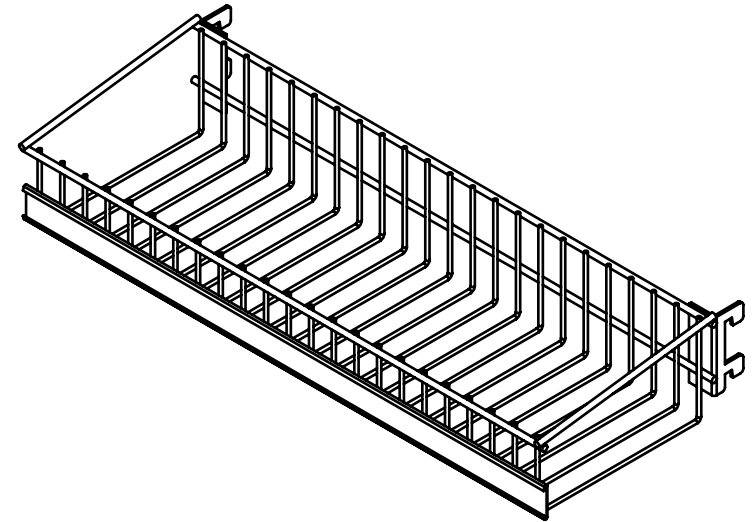
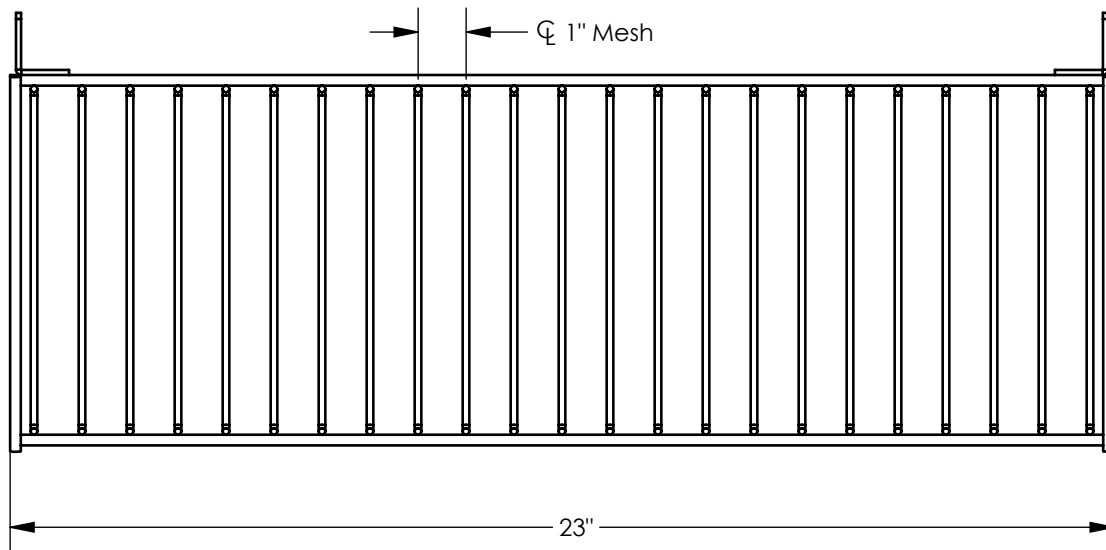


J-Hooks to be used on wire grid

UNLESS OTHERWISE SPECIFIED DIMENSIONS ARE IN INCHES TOLERANCES ARE: FRACTIONS DECIMALS ANGLES +/- 1/32" +/- .01 +/- 1° CUSTOMER	APPROVALS	DATE
	Engineered NRD	3-12-15
	Drawn NRD	3-12-15
	Checked	
Circle-K		

CDW CREATIVE DISPLAY WORKS INC.		
Tower Basket with J-hooks for wire Mesh		
SIZE A	DWG. NO. CDW-TOWER-SHELF	REV. A
DO NOT SCALE DRAWING		SHEET 2 OF 3

REVISIONS			
REV.	DESCRIPTION	DATE	APPROVED



Brackets to be used with Lozier uprights.

UNLESS OTHERWISE SPECIFIED DIMENSIONS ARE IN INCHES TOLERANCES ARE: FRACTIONS DECIMALS ANGLES +/- 1/32" +/- .01 +/- 1° CUSTOMER	APPROVALS	DATE
	Engineered NRD	3-12-15
	Drawn NRD	3-12-15
	Checked	
Circle-K		

CDW CREATIVE DISPLAY WORKS INC.		
Tower Shelf with brackets for Lozier uprights		
SIZE A	DWG. NO. CDW-TOWER-SHELF	REV. A
DO NOT SCALE DRAWING		SHEET 3 OF 3