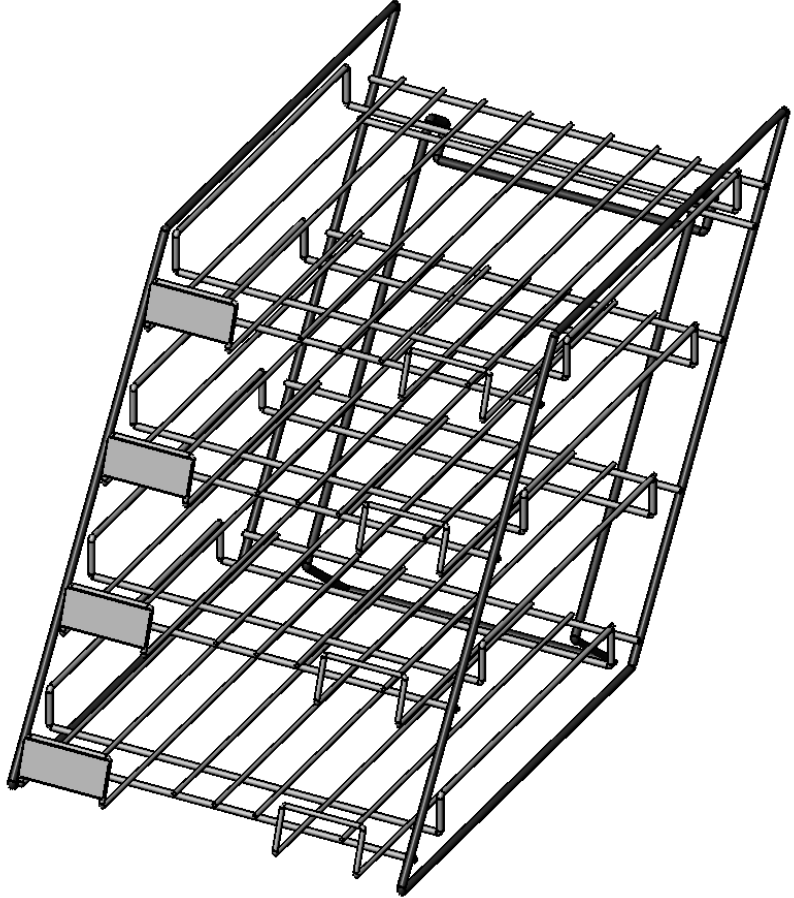
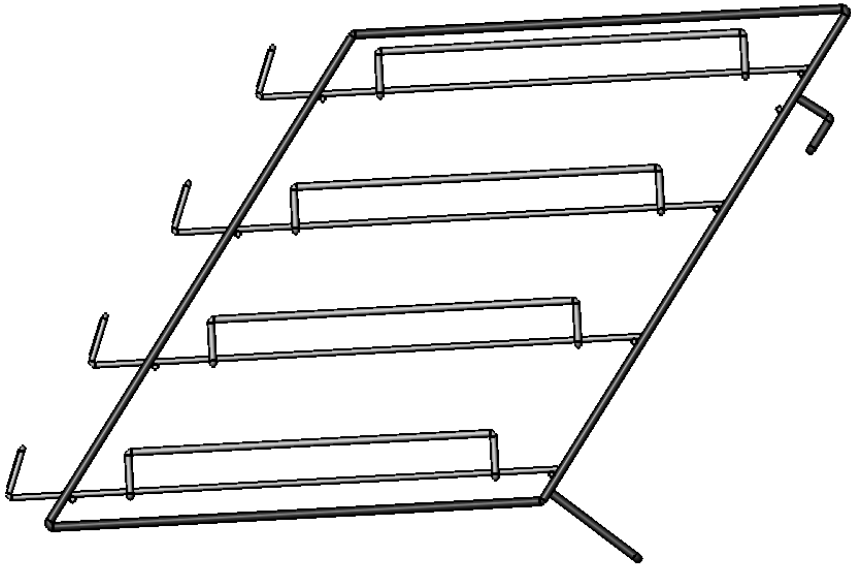


REVISIONS			
REV.	DESCRIPTION	DATE	APPROVED




NOTES:

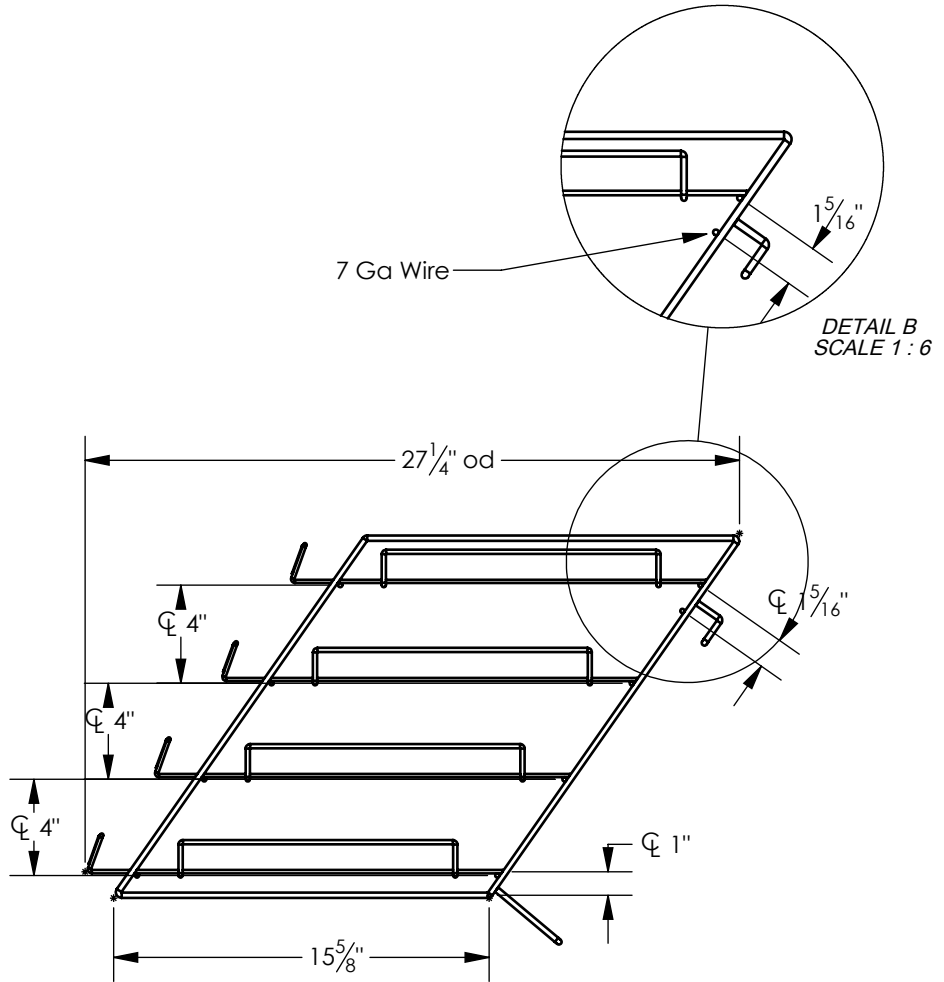
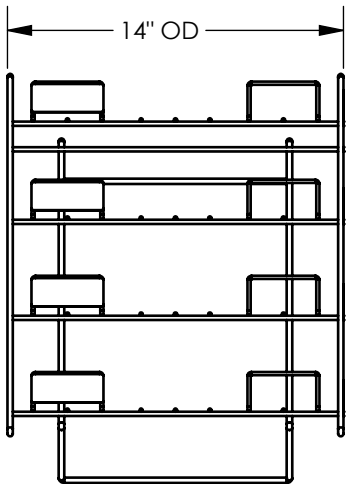
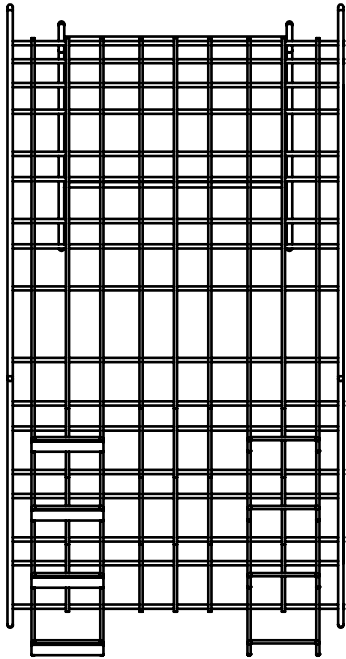
1. MATERIAL: MISSING
2. BLANK SIZE: MISSING
3. PROGRAM: MISSING
4. BEND RADIUS: MISSING
5. BEND DEDUCTION: MISSING
6. DEBURR ALL SHARP EDGES AND NIBBLE MARKS.
7. FINISH: MISSING

UNLESS OTHERWISE SPECIFIED
DIMENSIONS ARE IN INCHES
TOLERANCES ARE:
FRACTIONS DECIMALS ANGLES
+/- 1/32" +/- .01 +/- 1°

APPROVALS	DATE
Engineered -	-
Drawn NRD	2/3/14
Checked	

 CREATIVE DISPLAY WORKS INC.	
Utility Mat Rack	
SIZE A	DWG. NO. CDW-UTILITY-MAT-RACK
DO NOT SCALE DRAWING	
REV. A	SHEET 1 OF 6

REVISIONS			
REV.	DESCRIPTION	DATE	APPROVED



NOTES:

1. MATERIAL: MISSING
2. BLANK SIZE: MISSING
3. PROGRAM: MISSING
4. BEND RADIUS: MISSING
5. BEND DEDUCTION: MISSING
6. DEBURR ALL SHARP EDGES AND NIBBLE MARKS.
7. FINISH: MISSING

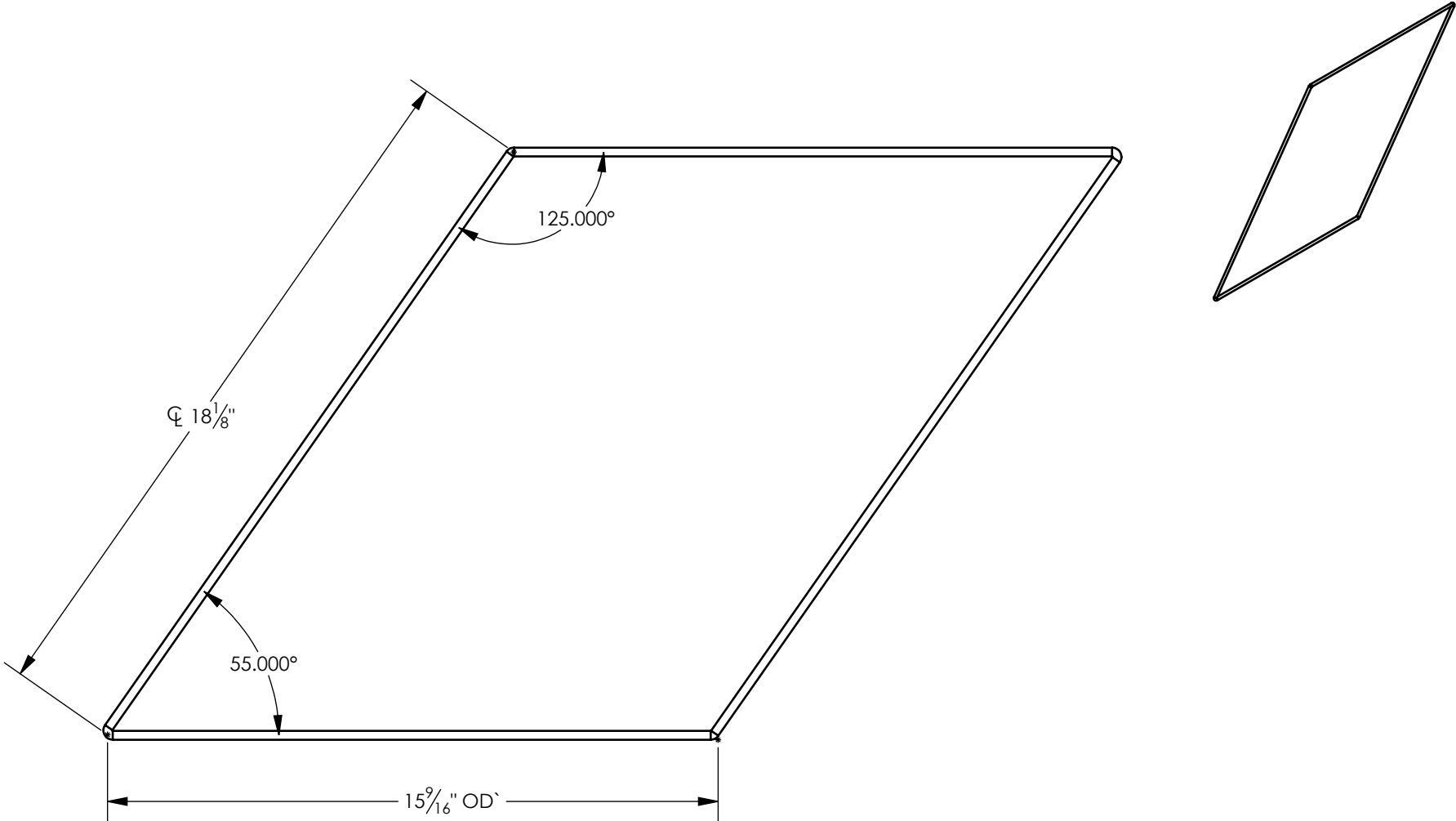
UNLESS OTHERWISE SPECIFIED DIMENSIONS ARE IN INCHES TOLERANCES ARE: FRACTIONS DECIMALS ANGLES +/- 1/32" +/- .01 +/- 1°	APPROVALS	DATE
	Engineered	-
	Drawn	NRD
CUSTOMER	Checked	2/3/14

APPROVALS	DATE
Engineered	-
Drawn	NRD
Checked	2/3/14

CDW CREATIVE DISPLAY WORKS INC.	
Utility Mat Rack	
SIZE A	DWG. NO. CDW-UTILITY-MAT-RACK
DO NOT SCALE DRAWING	
REV. A	SHEET 2 OF 6

REVISIONS			
REV.	DESCRIPTION	DATE	APPROVED

2 Per Assembly



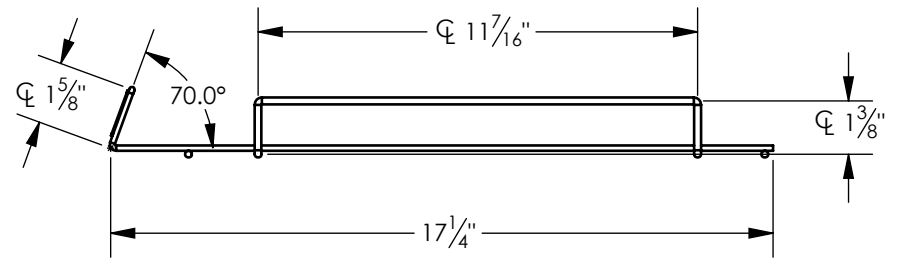
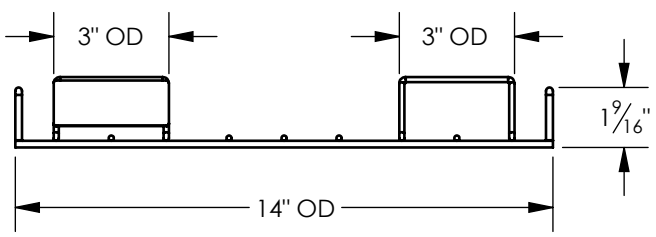
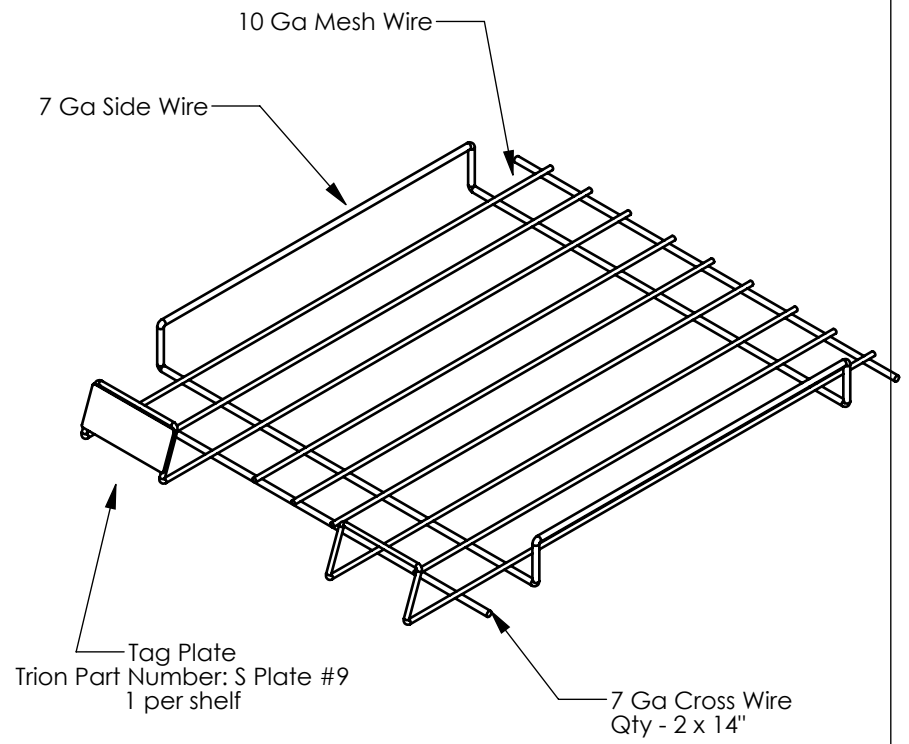
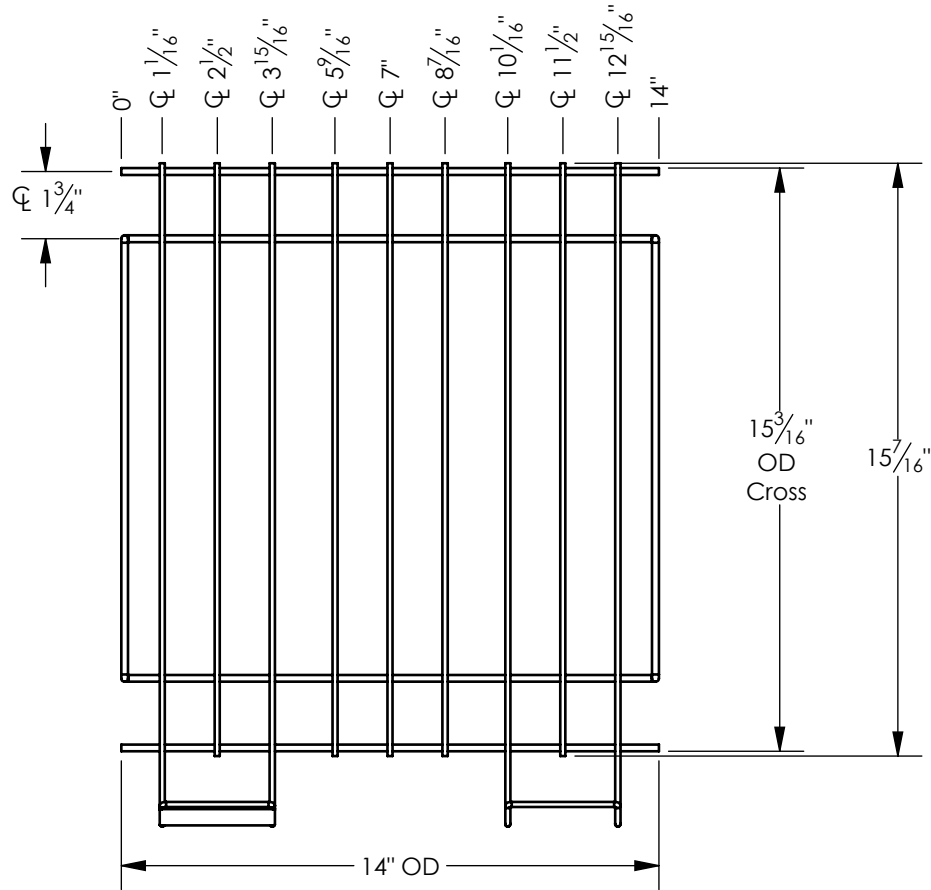
NOTES:

1. MATERIAL: 4 Ga Wire
2. BLANK SIZE:
3. PROGRAM:
4. BEND RADIUS:
5. BEND DEDUCTION:
6. DEBURR ALL SHARP EDGES AND NIBBLE MARKS.
7. FINISH:

UNLESS OTHERWISE SPECIFIED DIMENSIONS ARE IN INCHES TOLERANCES ARE: FRACTIONS DECIMALS ANGLES +/- 1/32" +/- .01 +/- 1°	APPROVALS	DATE
	Engineered NRD	1/31/14
	Drawn NRD	1/31/14
CUSTOMER	Checked	

CDW CREATIVE DISPLAY WORKS INC.	
Utility Mat Rack - Side Frame	
SIZE A	DWG. NO.
REV. A	
DO NOT SCALE DRAWING	
SHEET 3 OF 6	

REVISIONS			
REV.	DESCRIPTION	DATE	APPROVED



NOTES:

1. MATERIAL: 10Ga and 7Ga Wire
2. BLANK SIZE: MISSING
3. PROGRAM: MISSING
4. BEND RADIUS: MISSING
5. BEND DEDUCTION: MISSING
6. DEBURR ALL SHARP EDGES AND NIBBLE MARKS.
7. FINISH: MISSING

UNLESS OTHERWISE SPECIFIED
DIMENSIONS ARE IN INCHES
TOLERANCES ARE:
FRACTIONS DECIMALS ANGLES
+/- 1/32" +/- .01 +/- 1°

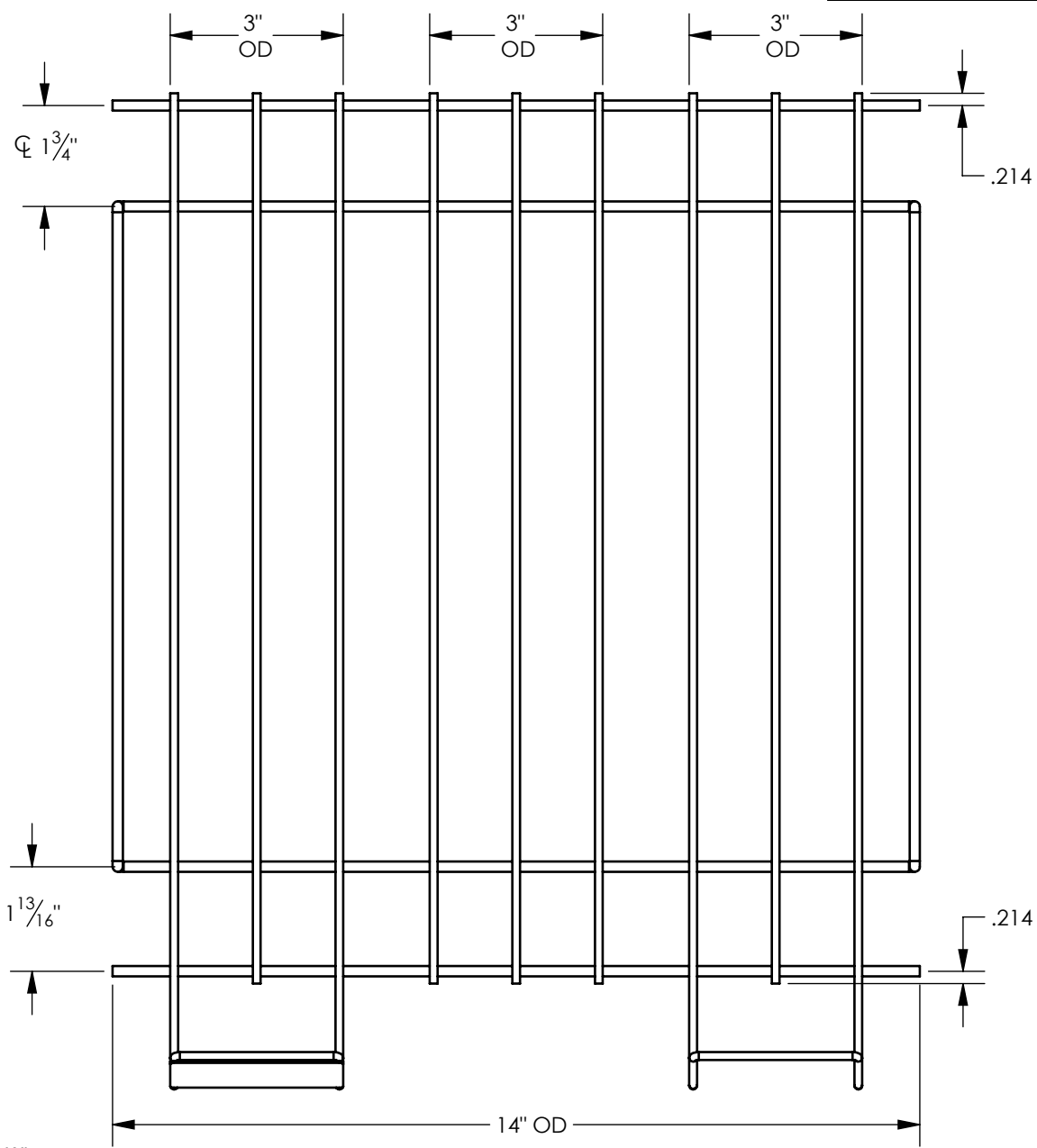
APPROVALS	DATE
Engineered NRD	1-30-14
Drawn NRD	2-5/14
Checked	

CDW CREATIVE DISPLAY WORKS INC.

Utility Mat Rack - Shelf

SIZE A	DWG. NO.	REV. A
DO NOT SCALE DRAWING		SHEET 4 OF 6

REVISIONS			
REV.	DESCRIPTION	DATE	APPROVED



NOTES:

1. MATERIAL: 10Ga and 7Ga Wire
2. BLANK SIZE: MISSING
3. PROGRAM: MISSING
4. BEND RADIUS: MISSING
5. BEND DEDUCTION: MISSING
6. DEBURR ALL SHARP EDGES AND NIBBLE MARKS.
7. FINISH: MISSING

UNLESS OTHERWISE SPECIFIED
DIMENSIONS ARE IN INCHES
TOLERANCES ARE:
FRACTIONS DECIMALS ANGLES
+/- 1/32" +/- .01 +/- 1°
CUSTOMER

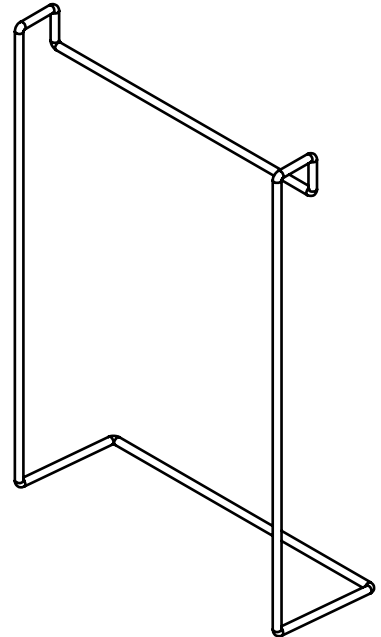
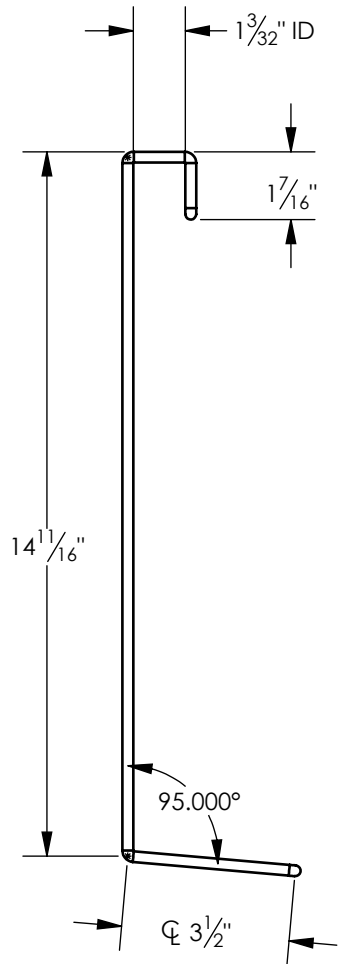
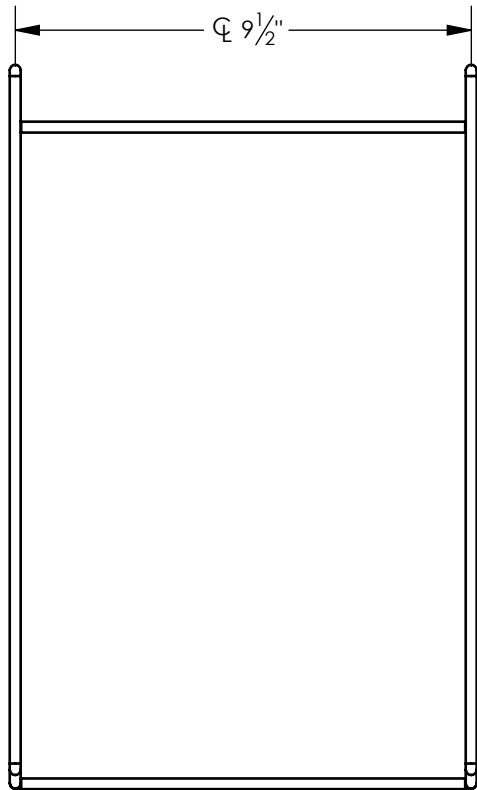
APPROVALS	DATE
Engineered NRD	1-30-14
Drawn NRD	2-5/14
Checked	

CDW CREATIVE DISPLAY
WORKS INC.

Utility Mat Rack - Shelf

SIZE A	DWG. NO.	REV. A
DO NOT SCALE DRAWING		SHEET 5 OF 6

REVISIONS			
REV.	DESCRIPTION	DATE	APPROVED



NOTES:

1. MATERIAL: 4 Ga Wire
2. BLANK SIZE: MISSING
3. PROGRAM: MISSING
4. BEND RADIUS: MISSING
5. BEND DEDUCTION: MISSING
6. DEBURR ALL SHARP EDGES AND NIBBLE MARKS.
7. FINISH: MISSING

UNLESS OTHERWISE SPECIFIED
DIMENSIONS ARE IN INCHES
TOLERANCES ARE:
FRACTIONS DECIMALS ANGLES
+/- 1/32" +/- .01 +/- 1°

APPROVALS	DATE
Engineered NRD	2/3/14
Drawn NRD	2/3/14
Checked	

CDW CREATIVE DISPLAY WORKS INC.	
Utility Mat Rack - Wire Hook/Support	
SIZE A	DWG. NO.
REV. A	
DO NOT SCALE DRAWING	
SHEET 6 OF 6	