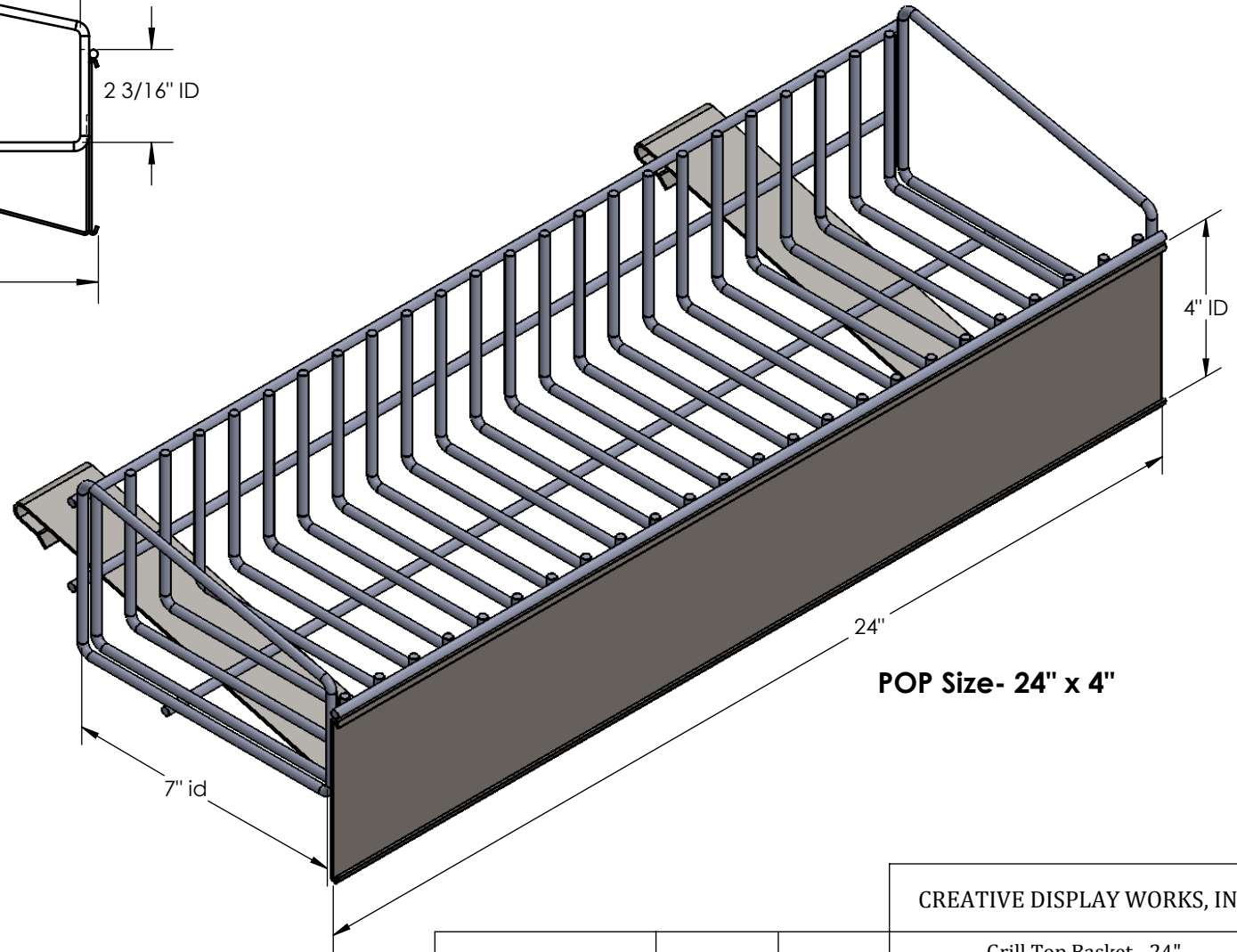
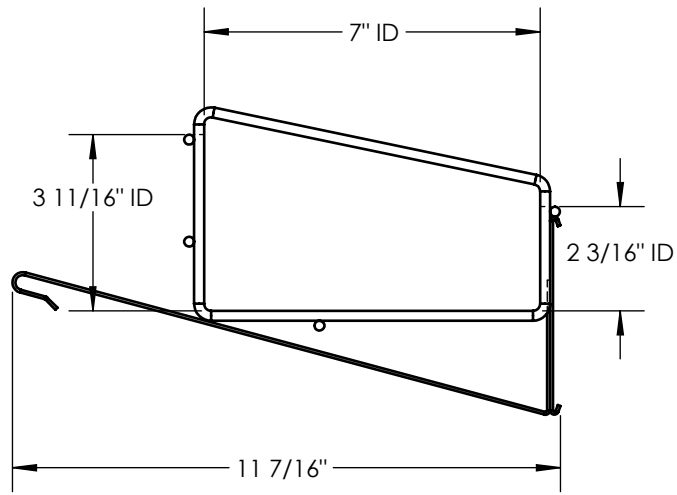


REVISIONS			
REV.	DESCRIPTION	DATE	APPROVED



CREATIVE DISPLAY WORKS, INC.

Grill Top Basket - 24"
CDW-GTB-30/45-24

UNLESS OTHERWISE SPECIFIED DIMENSIONS ARE IN INCHES TOLERANCES ARE: FRACTIONS DECIMALS ANGLES +/- 1/32" +/- .01 +/- 1°	APPROVALS	DATE	SIZE	DWG. NO.	REV.
	Engineered				
CUSTOMER	Drawn	Checked			
	NRD				
		9/4/2013			
DO NOT SCALE DRAWING					SHEET 1 OF 1