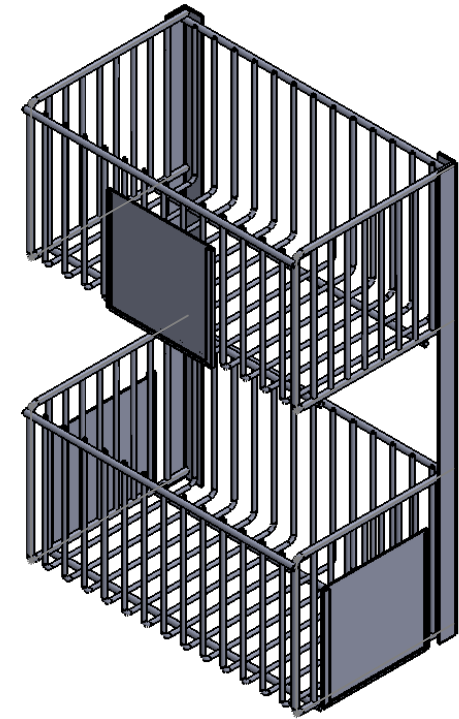
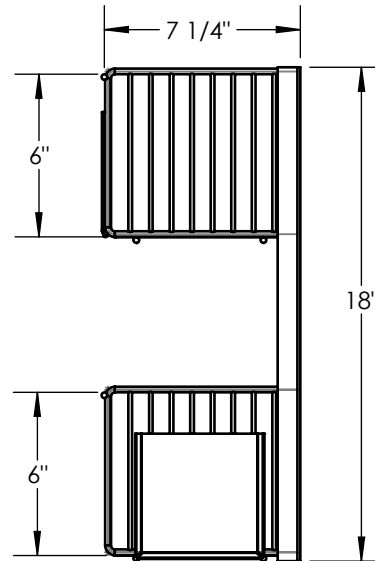
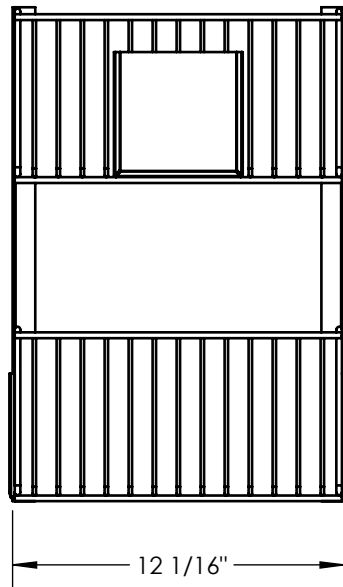
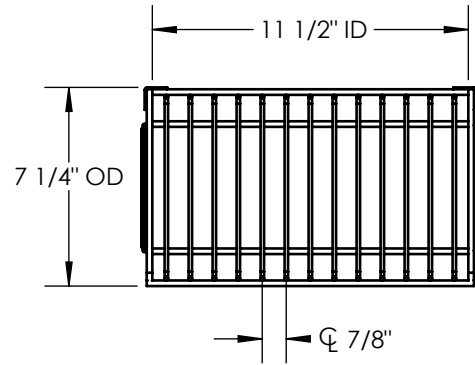


REVISIONS			
REV.	DESCRIPTION	DATE	APPROVED

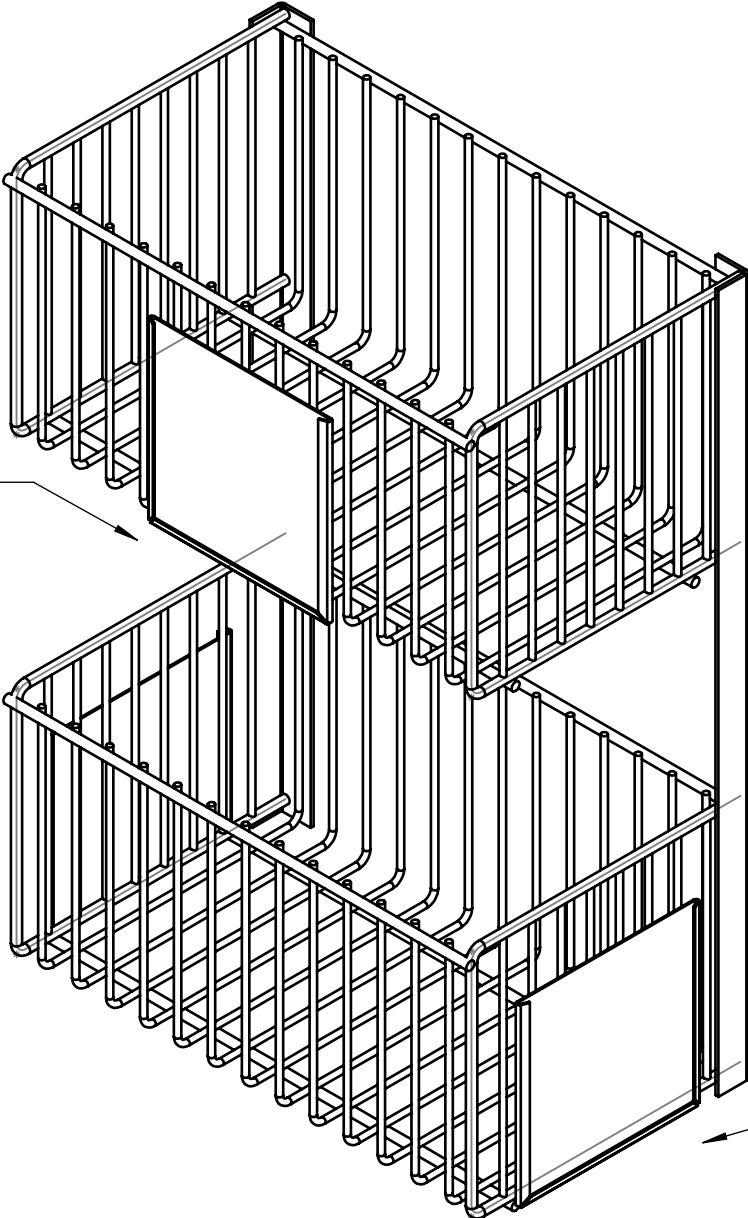


4 9/16" x 4 1/2"  
U-Channel

CREATIVE DISPLAY WORKS, INC.			
2 Tier Goody Basket			
SIZE	DWG. NO.	REV.	
A	CDW_2TIER_GOODY_BSKT_100	A	
DO NOT SCALE DRAWING			SHEET 1 OF 8

UNLESS OTHERWISE SPECIFIED DIMENSIONS ARE IN INCHES TOLERANCES ARE: FRACTIONS DECIMALS ANGLES +/- 1/32" +/- .01 +/- 1° CUSTOMER	APPROVALS	DATE
	Engineered	
	Drawn	
	Checked	
	NRD	11/11/2013

REVISIONS			
REV.	DESCRIPTION	DATE	APPROVED



**Top Tier:**  
1 POP Channel, welded Flush  
with bottom of basket

POP Channe

**Bottom Tier:**  
2 POP Channels, welded Flush  
with bottom of basket on both sides

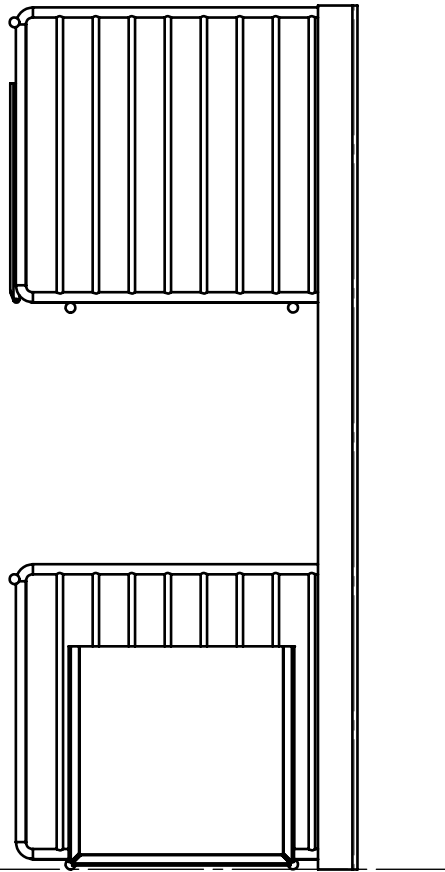
CREATIVE DISPLAY WORKS, INC.

2 Tier Goody Basket

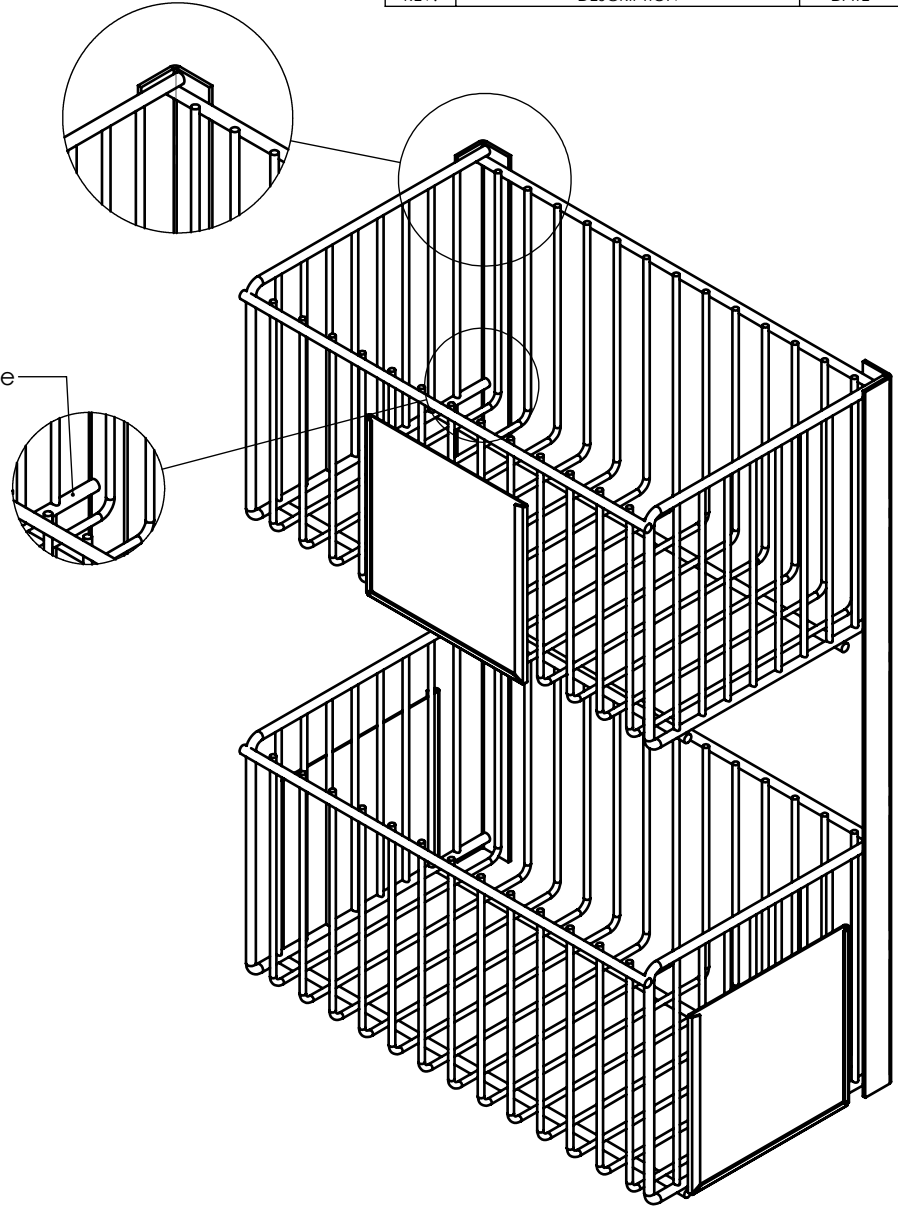
UNLESS OTHERWISE SPECIFIED DIMENSIONS ARE IN INCHES TOLERANCES ARE: FRACTIONS DECIMALS ANGLES +/- 1/32" +/- .01 +/- 1°	APPROVALS	DATE	SIZE	DWG. NO.	REV.
	Drawn NRD	11/11/2013	A	CDW_2TIER_GOODY_BSKT_100	A
CUSTOMER	Checked		DO NOT SCALE DRAWING		SHEET 2 OF 8

Weld Basket Flush to top of Rear frame.

REVISIONS			
REV.	DESCRIPTION	DATE	APPROVED



Weld Side Wires to Rear Support Frame

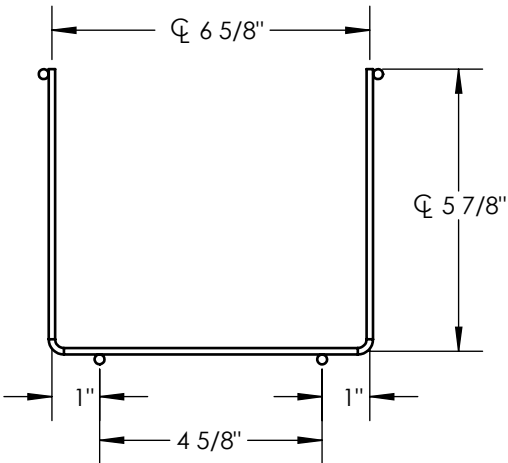
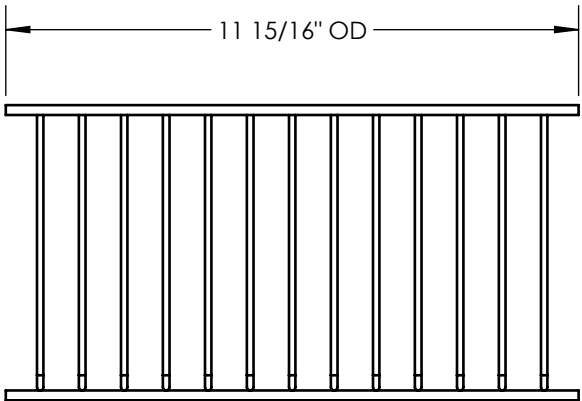
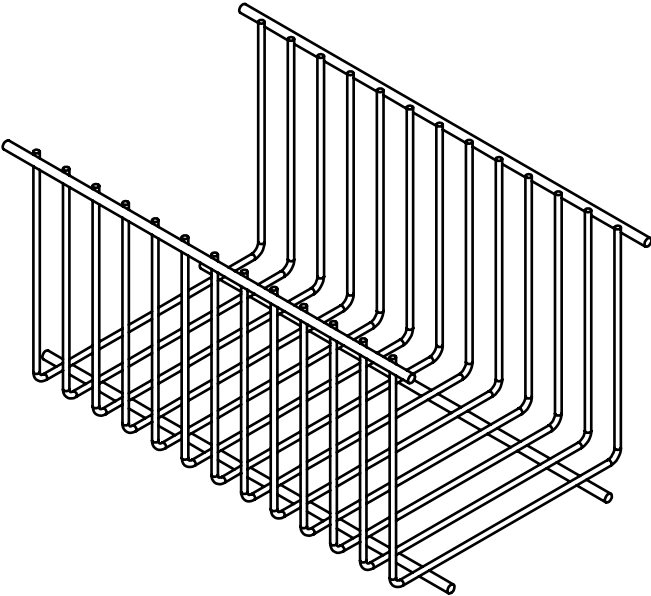
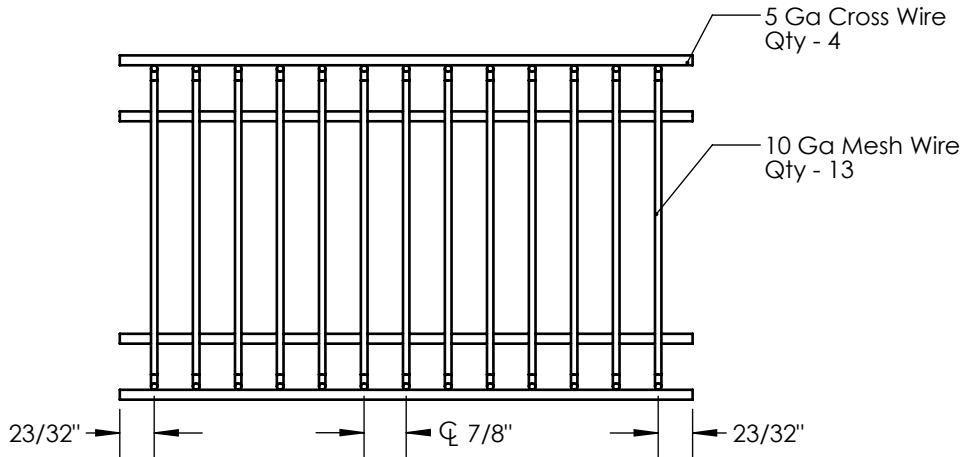


Weld Bottom Basket Level  
Bottom 5 Ga Cross Wires Flush  
w/ Bottom Rear Support

CREATIVE DISPLAY WORKS, INC.

UNLESS OTHERWISE SPECIFIED DIMENSIONS ARE IN INCHES TOLERANCES ARE: FRACTIONS DECIMALS ANGLES +/- 1/32" +/- .01 +/- 1°	APPROVALS	DATE	2 Tier Goody Basket- Rear Support Frame	
	Engineered		SIZE	DWG. NO.
CUSTOMER	Drawn	11/11/2013	A	CDW_2TIER_GOODY_BSKT_100
	Checked			REV. A
DO NOT SCALE DRAWING				SHEET 3 OF 8

REVISIONS			
REV.	DESCRIPTION	DATE	APPROVED



CREATIVE DISPLAY WORKS, INC.

2 Tier Goody Basket

UNLESS OTHERWISE SPECIFIED  
DIMENSIONS ARE IN INCHES  
TOLERANCES ARE:  
FRACTIONS    DECIMALS    ANGLES  
+/- 1/32"    +/- .01    +/- 1°

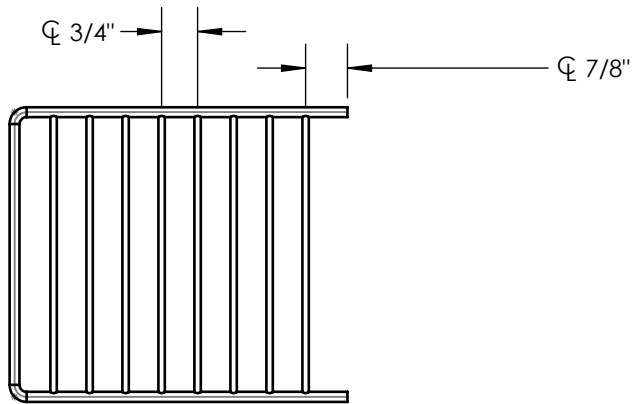
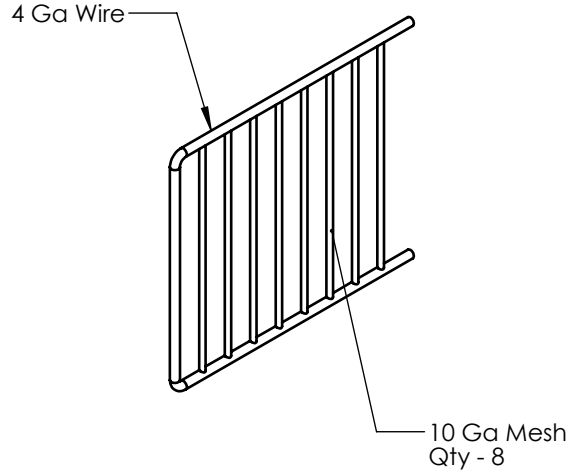
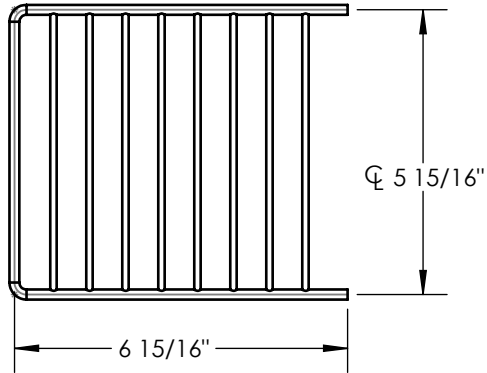
APPROVALS	DATE
Engineered	
Drawn	11/11/2013
Checked	

SIZE	DWG. NO.	REV.
A	CDW_2TIER_GOODY_BSKT_200	A

DO NOT SCALE DRAWING

SHEET 4 OF 8

REVISIONS			
REV.	DESCRIPTION	DATE	APPROVED

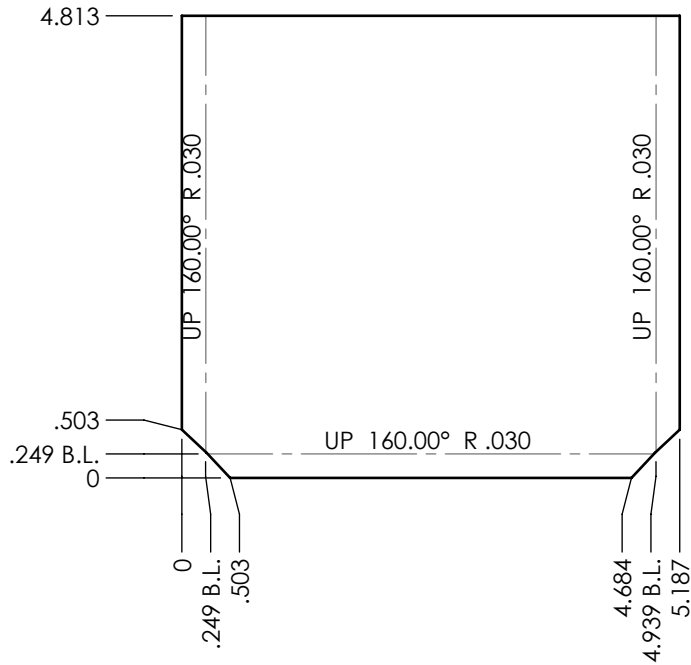
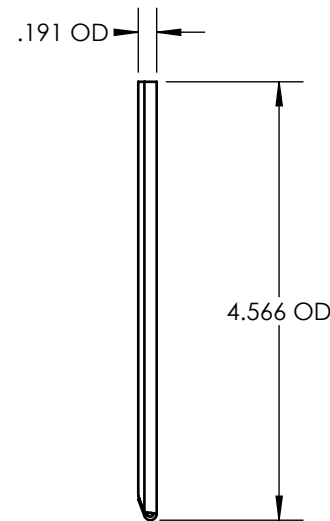
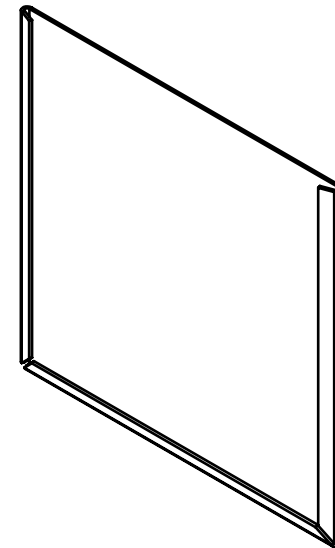
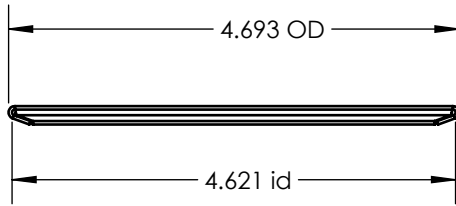


CREATIVE DISPLAY WORKS, INC.

UNLESS OTHERWISE SPECIFIED DIMENSIONS ARE IN INCHES TOLERANCES ARE: FRACTIONS DECIMALS ANGLES +/- 1/32" +/- .01 +/- 1°	APPROVALS	DATE
	Drawn NRD	11/11/2013
CUSTOMER	Checked	

Basket- Side	
SIZE A	DWG. NO. CDW_2TIER_GOODY_BSKT_201
REV. A	DO NOT SCALE DRAWING
SHEET 5 OF 8	

REVISIONS			
REV.	DESCRIPTION	DATE	APPROVED



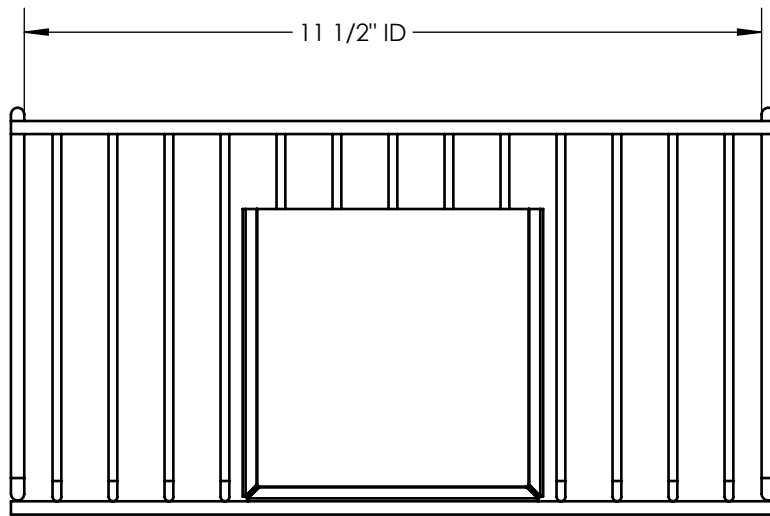
NOTES:

1. MATERIAL: 20 Ga CRS
2. BLANK SIZE:
3. PROGRAM:
4. BEND RADIUS: 0.03
5. BEND DEDUCTION: 0.061
6. DEBURR ALL SHARP EDGES AND NIBBLE MARKS.
7. FINISH:

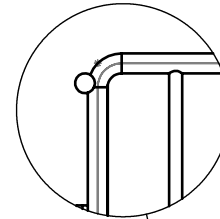
CREATIVE DISPLAY WORKS, INC.			
2 Tier Goody Basket- POP U-Channel			
SIZE	DWG. NO.	REV.	
A	CDW_2TIER_GOODY_BSKT_204	A	
DO NOT SCALE DRAWING			SHEET 6 OF 8

UNLESS OTHERWISE SPECIFIED DIMENSIONS ARE IN INCHES TOLERANCES ARE: FRACTIONS DECIMALS ANGLES +/- 1/32" +/- .01 +/- 1°	APPROVALS	DATE
	Engineered NRD	
	Drawn NRD	11/11/2013
CUSTOMER	Checked	

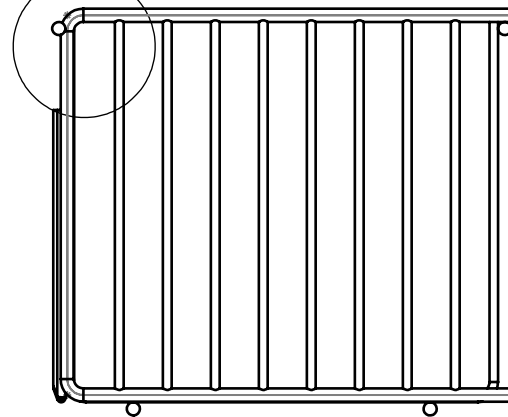
REVISIONS			
REV.	DESCRIPTION	DATE	APPROVED



U-Channel (POP)  
Welded Fluch to bottom of Mesh



DETAIL B  
SCALE 1:2



Basket Sides Welded on top  
of bottom Cross Wires

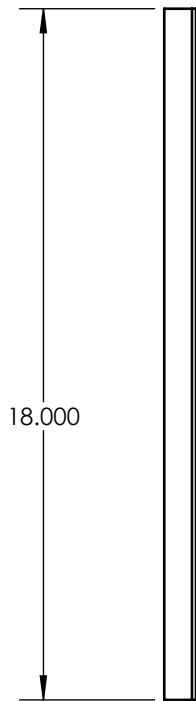
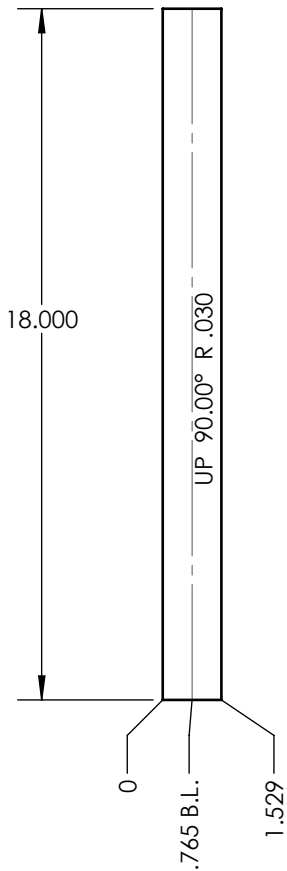
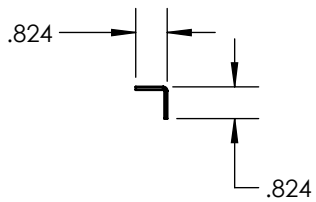
CREATIVE DISPLAY WORKS, INC.

UNLESS OTHERWISE SPECIFIED DIMENSIONS ARE IN INCHES TOLERANCES ARE: FRACTIONS DECIMALS ANGLES +/- 1/32" +/- .01 +/- 1°	APPROVALS	DATE	2 Tier Goody Basket- Basket Assembly	
	Engineered		SIZE	DWG. NO.
CUSTOMER	Drawn	11/11/2013	A	CDW_2TIER_GOODY_BSKT_200
	Checked			REV. A

DO NOT SCALE DRAWING

SHEET 7 OF 8

REVISIONS			
REV.	DESCRIPTION	DATE	APPROVED



NOTES:

1. MATERIAL: 14 Ga CRS
2. BLANK SIZE:
3. PROGRAM:
4. BEND RADIUS: 0.03
5. BEND DEDUCTION: 0.119
6. DEBURR ALL SHARP EDGES AND NIBBLE MARKS.
7. FINISH:

CREATIVE DISPLAY WORKS, INC.

UNLESS OTHERWISE SPECIFIED DIMENSIONS ARE IN INCHES TOLERANCES ARE: FRACTIONS DECIMALS ANGLES +/- 1/32" +/- .01 +/- 1°	APPROVALS	DATE	2 Tier Goody Basket- Rear Support Frame	
	Drawn NRD	11/11/2013	SIZE A	REV. A
CUSTOMER	Checked		DWG. NO. CDW_2TIER_GOODY_BSKT_101	
			DO NOT SCALE DRAWING	
			SHEET 8 OF 8	