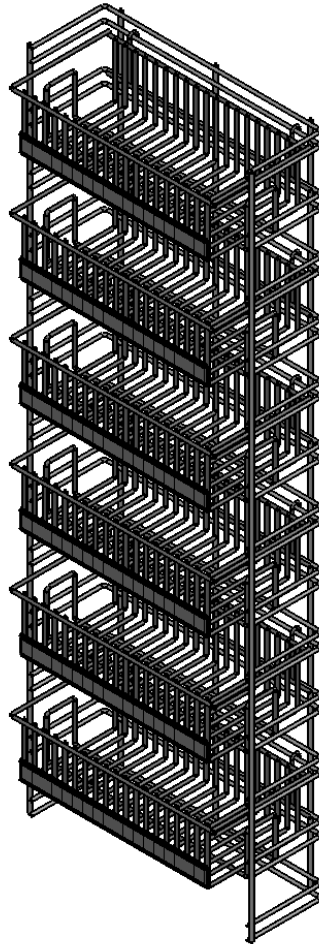
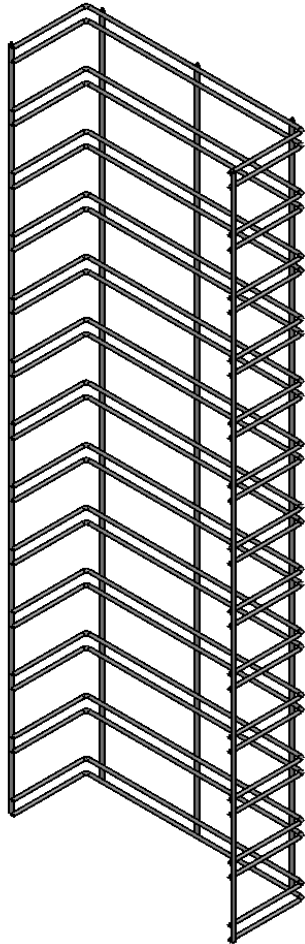
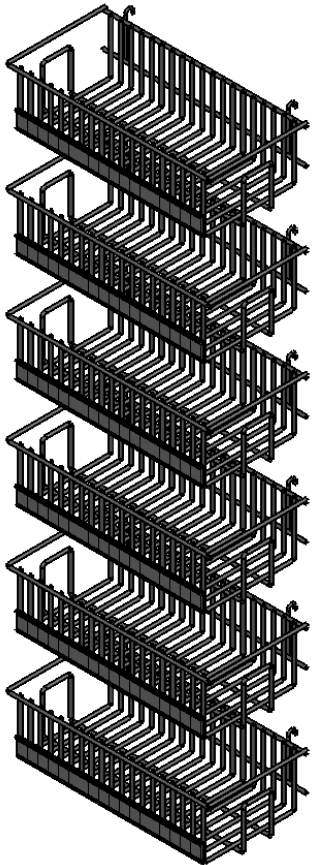


REVISIONS			
REV.	DESCRIPTION	DATE	APPROVED



CREATIVE DISPLAY WORKS, INC.

Basket Power Panel

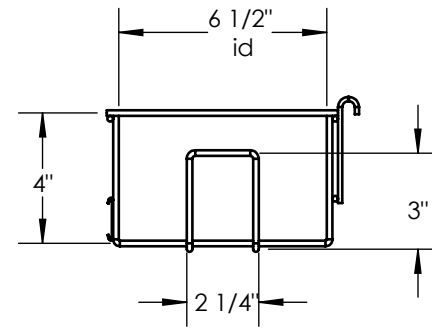
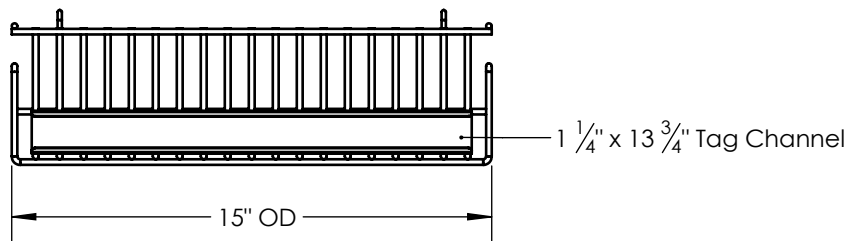
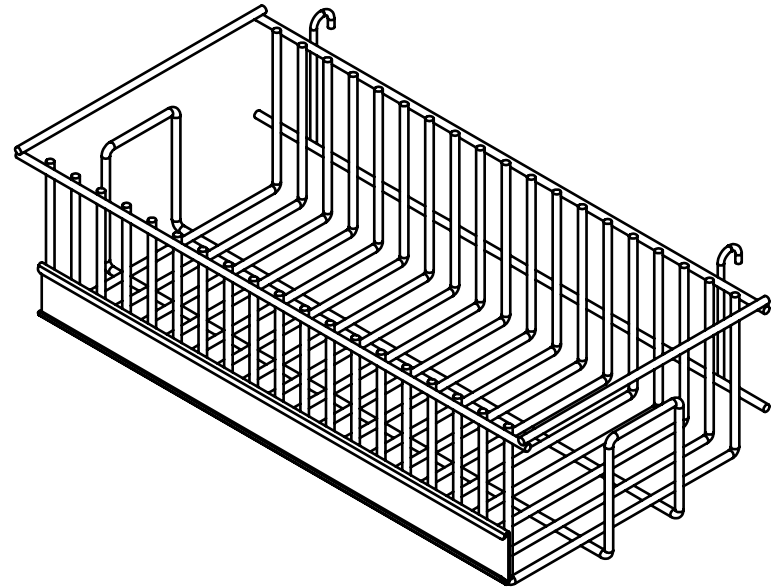
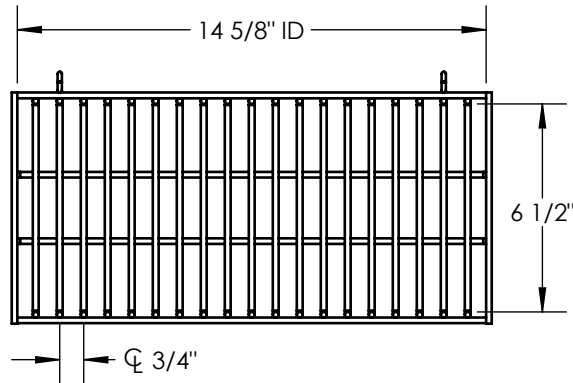
UNLESS OTHERWISE SPECIFIED
DIMENSIONS ARE IN INCHES
TOLERANCES ARE:
FRACTIONS DECIMALS ANGLES
+/- 1/32" +/- .01 +/- 1°

APPROVALS
engineered
Drawn
Checked

DATE
10/7/2013

SIZE DWG. NO. REV.
A CDW_BASKET_POWER_PANEL A

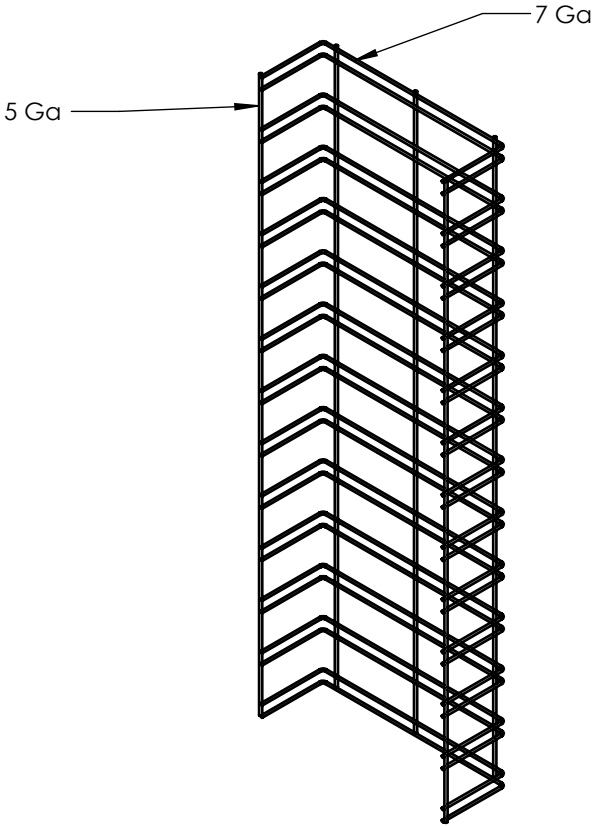
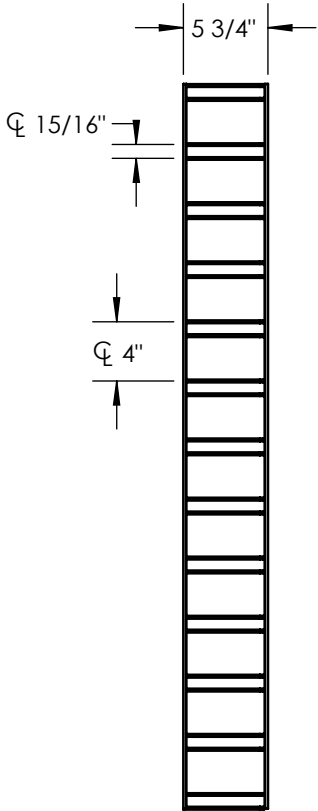
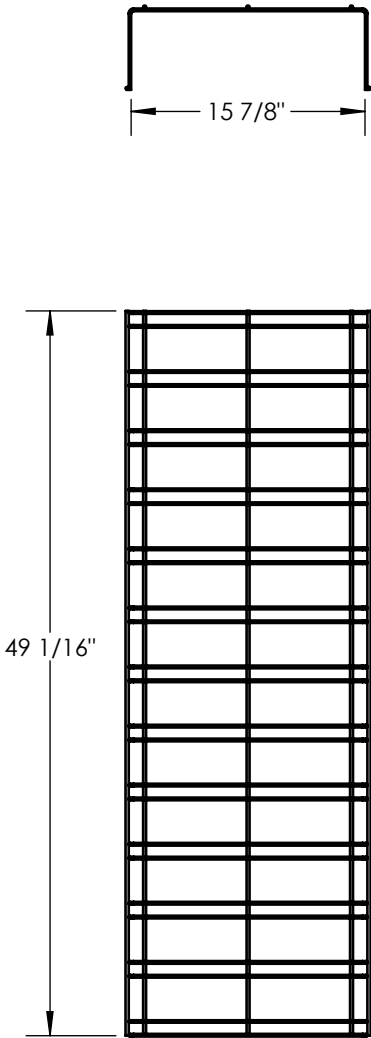
REVISIONS			
REV.	DESCRIPTION	DATE	APPROVED



CREATIVE DISPLAY WORKS, INC.

UNLESS OTHERWISE SPECIFIED DIMENSIONS ARE IN INCHES TOLERANCES ARE: FRACTIONS DECIMALS ANGLES +/- 1/32" +/- .01 +/- 1°	APPROVALS	DATE	Basket Power Panel-Side Basket	
	Engineered		SIZE	DWG. NO.
CUSTOMER	Drawn	Checked	A	CDW_HANGING_FEM_COOLER_SIDE_BASKET
	NRD	10/7/2013	REV.	A
DO NOT SCALE DRAWING				SHEET 2 OF 3

REVISIONS			
REV.	DESCRIPTION	DATE	APPROVED



CREATIVE DISPLAY WORKS, INC.

UNLESS OTHERWISE SPECIFIED DIMENSIONS ARE IN INCHES TOLERANCES ARE: FRACTIONS DECIMALS ANGLES +/- 1/32" +/- .01 +/- 1°	APPROVALS	DATE
	Engineered	
	Drawn	10/7/2013
CUSTOMER	Checked	

Power Panel		SIZE	DWG. NO.	REV.
		A	CDW_POWER_PANEL	A
DO NOT SCALE DRAWING				SHEET 3 OF 3