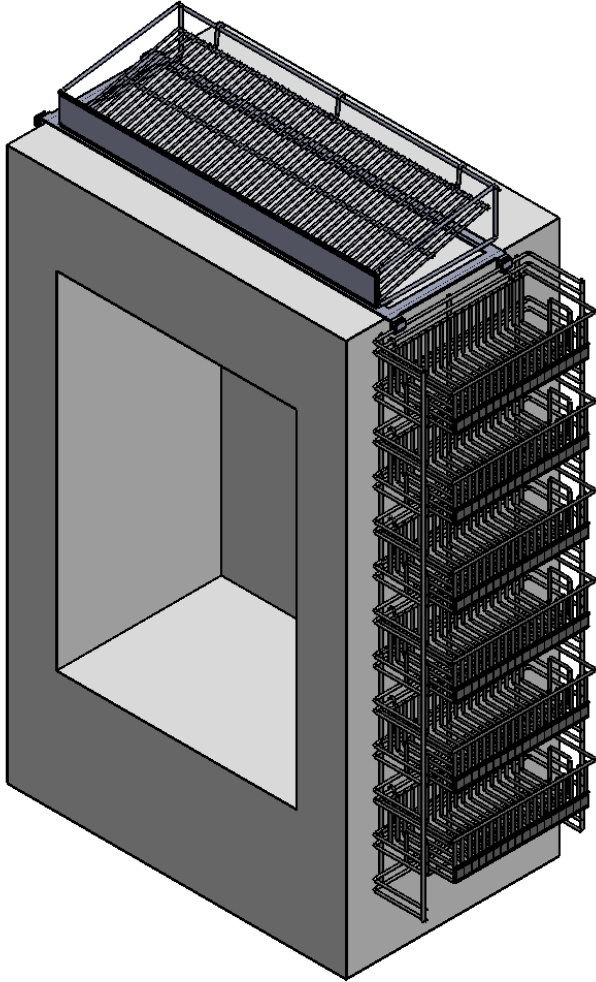
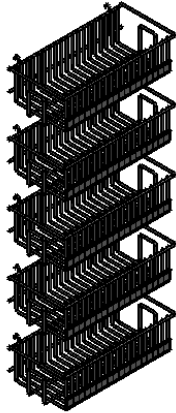
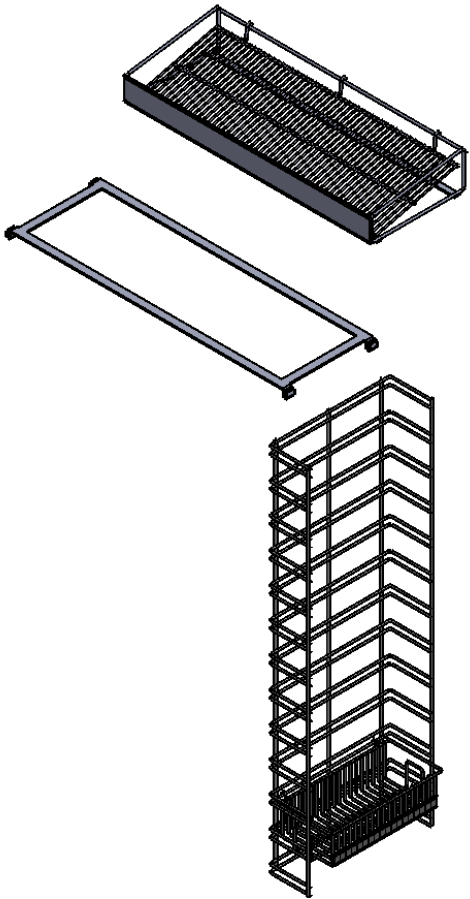


| REVISIONS | | | |
|-----------|-------------|------|----------|
| REV. | DESCRIPTION | DATE | APPROVED |



CREATIVE DISPLAY WORKS, INC.

Basket Power Panel

UNLESS OTHERWISE SPECIFIED
DIMENSIONS ARE IN INCHES
TOLERANCES ARE:
FRACTIONS DECIMALS ANGLES
+/- 1/32" +/- .01 +/- 1°

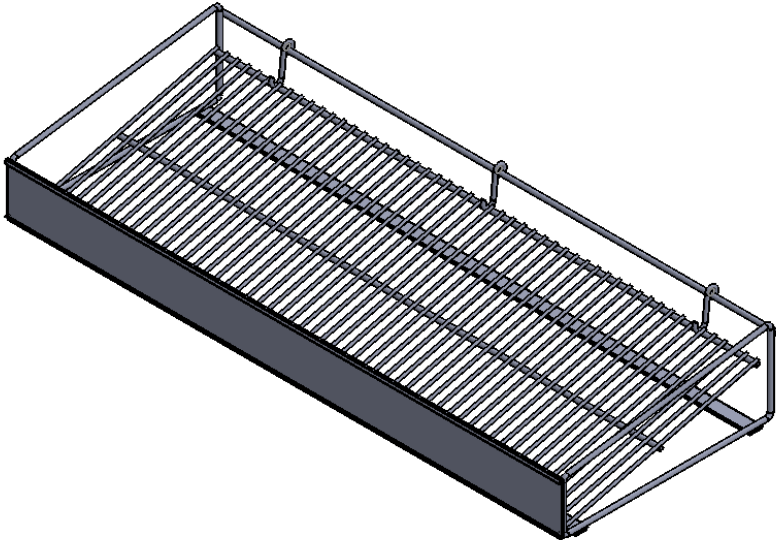
| | |
|------------|-----------|
| APPROVALS | DATE |
| Engineered | |
| Drawn | 10/7/2013 |
| Checked | |

| | | |
|------|------------------------|------|
| SIZE | DWG. NO. | REV. |
| A | CDW_BASKET_POWER_PANEL | A |

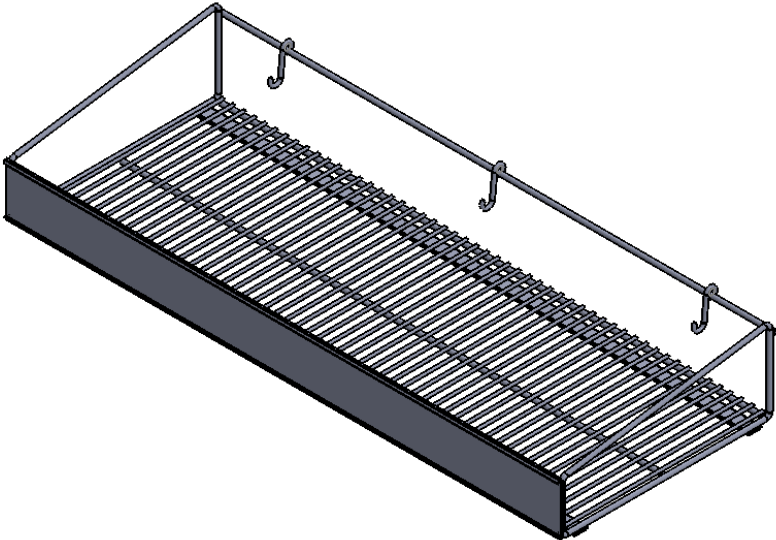
| REVISIONS | | | |
|-----------|-------------|------|----------|
| REV. | DESCRIPTION | DATE | APPROVED |

Hinged Base to allow angled or flat display.

Angled



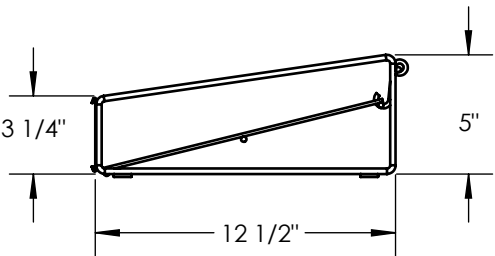
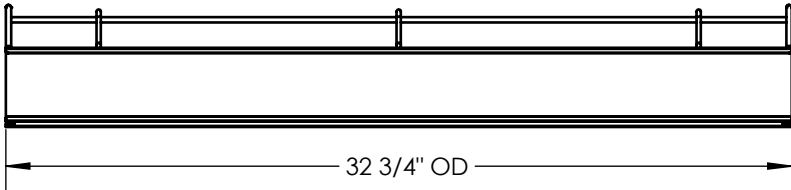
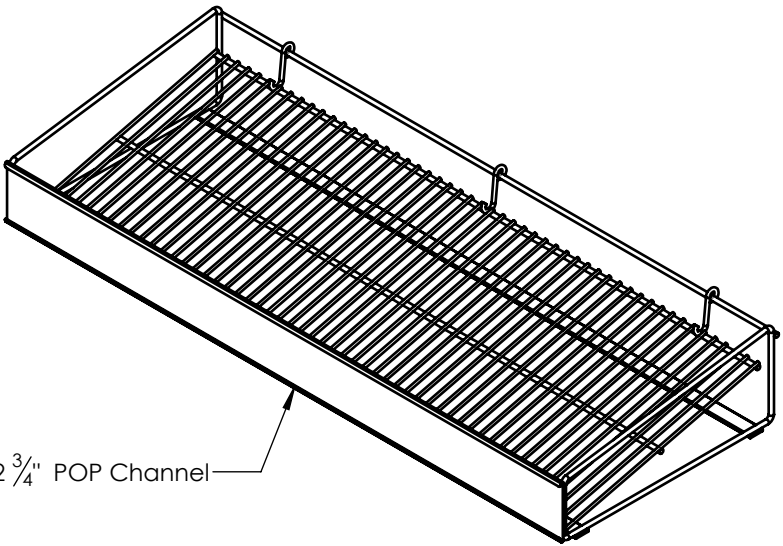
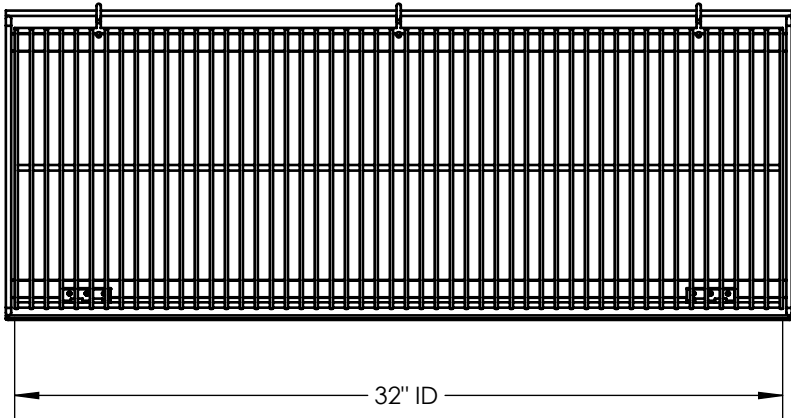
Flat



CREATIVE DISPLAY WORKS, INC.

| | | | | |
|--|------------|-----------|--------------------------------|------|
| UNLESS OTHERWISE SPECIFIED DIMENSIONS ARE IN INCHES TOLERANCES ARE: FRACTIONS DECIMALS ANGLES +/- 1/32" +/- .01 +/- 1° | APPROVALS | DATE | Basket Power Panel- Top Basket | |
| | Engineered | | SIZE | REV. |
| CUSTOMER | Drawn | 10/7/2013 | A | A |
| | Checked | | DO NOT SCALE DRAWING | |
| | | | SHEET 2 OF 6 | |

| REVISIONS | | | |
|-----------|-------------|------|----------|
| REV. | DESCRIPTION | DATE | APPROVED |

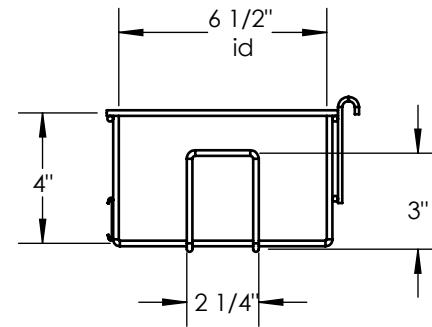
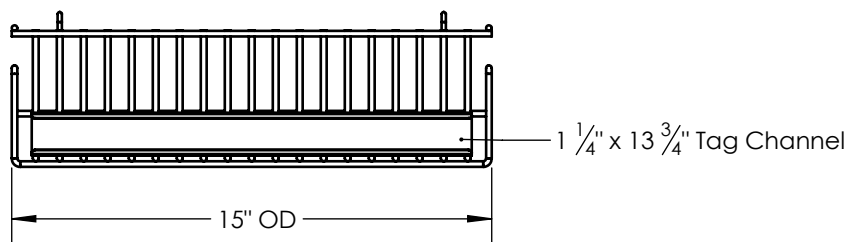
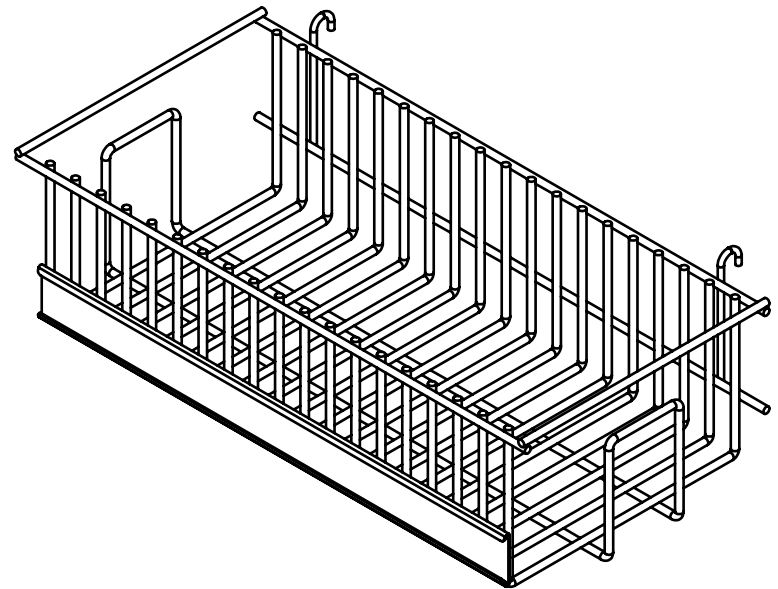
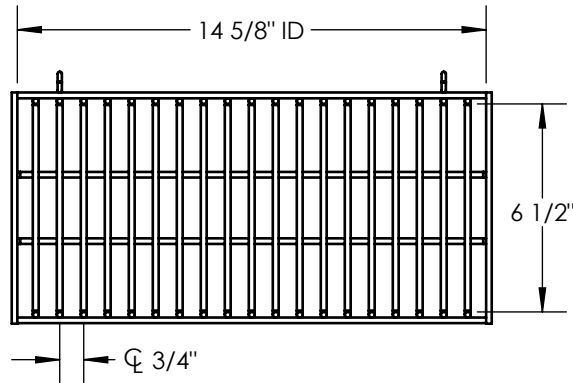


CREATIVE DISPLAY WORKS, INC.

| | | |
|--|------------|-----------|
| UNLESS OTHERWISE SPECIFIED DIMENSIONS ARE IN INCHES TOLERANCES ARE: FRACTIONS DECIMALS ANGLES +/- 1/32" +/- .01 +/- 1° | APPROVALS | DATE |
| | engineered | |
| | Drawn | 10/7/2013 |
| CUSTOMER | Checked | |
| | NRD | |

| | | |
|-------------------------------|---------------------------------------|--------------|
| Basket Power Panel-Top Basket | | REV. |
| SIZE | DWG. NO. | A |
| A | CDW_HANGING_FEM_COOLER_TOP_BASKET_100 | A |
| DO NOT SCALE DRAWING | | SHEET 3 OF 6 |

| REVISIONS | | | |
|-----------|-------------|------|----------|
| REV. | DESCRIPTION | DATE | APPROVED |



CREATIVE DISPLAY WORKS, INC.

| | | |
|--|------------|-----------|
| UNLESS OTHERWISE SPECIFIED DIMENSIONS ARE IN INCHES TOLERANCES ARE: FRACTIONS DECIMALS ANGLES +/- 1/32" +/- .01 +/- 1° | APPROVALS | DATE |
| | Engineered | |
| | Drawn | 10/7/2013 |
| CUSTOMER | Checked | |

Basket Power Panel-Side Basket

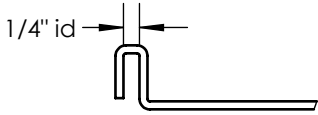
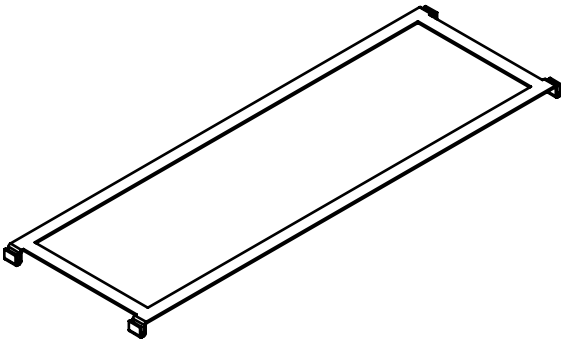
| | | |
|------|------------------------------------|------|
| SIZE | DWG. NO. | REV. |
| A | CDW_HANGING_FEM_COOLER_SIDE_BASKET | A |

DO NOT SCALE DRAWING

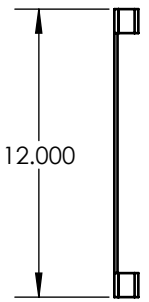
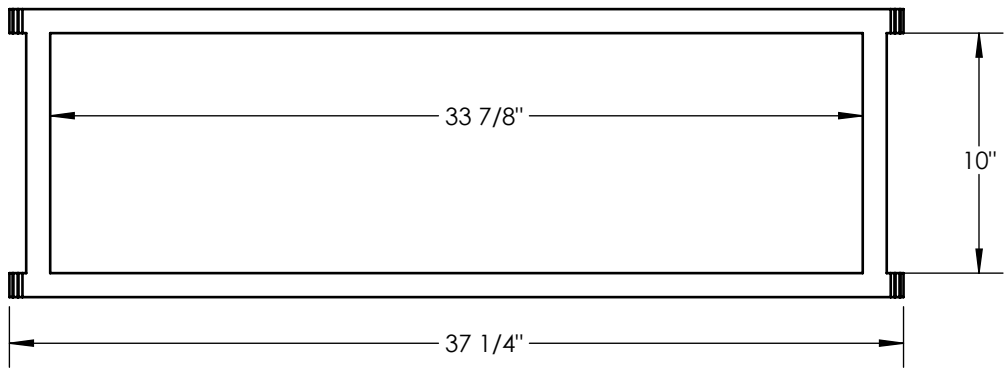
SHEET 4 OF 6

| REVISIONS | | | |
|-----------|-------------|------|----------|
| REV. | DESCRIPTION | DATE | APPROVED |

1" x 1/8" Flat Bar



DETAIL H
SCALE 1 : 3

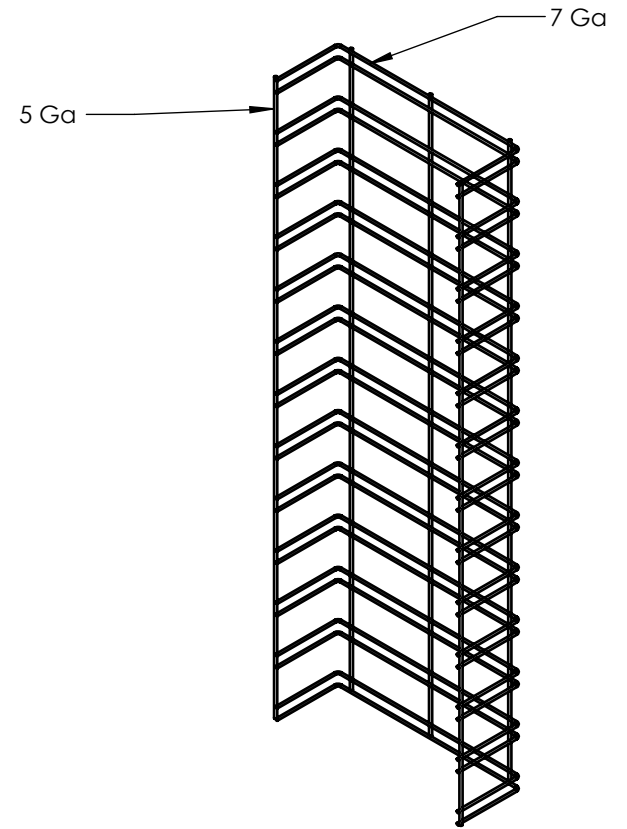
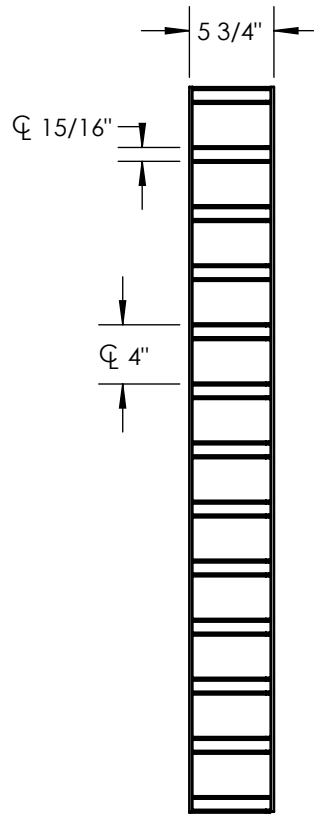
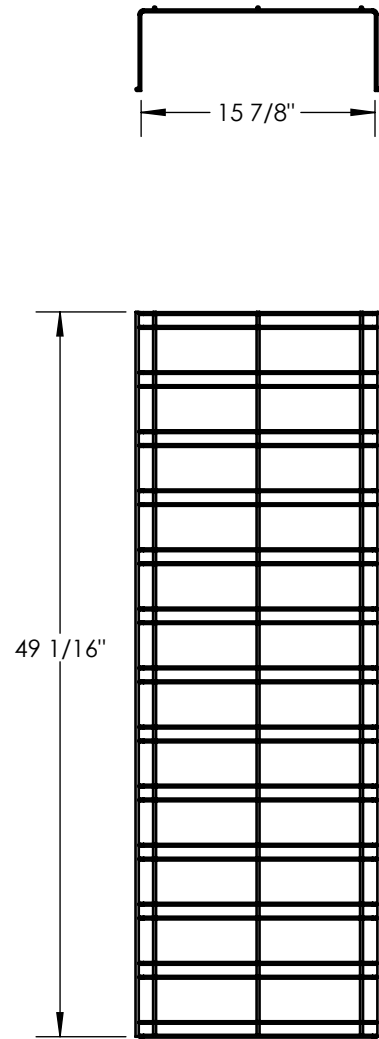


CREATIVE DISPLAY WORKS, INC.

| | | |
|--|------------|-----------|
| UNLESS OTHERWISE SPECIFIED DIMENSIONS ARE IN INCHES TOLERANCES ARE: FRACTIONS DECIMALS ANGLES +/- 1/32" +/- .01 +/- 1° | APPROVALS | DATE |
| | Engineered | |
| | Drawn | 10/7/2013 |
| CUSTOMER | Checked | |

| | | |
|------------------------------|--|--------------|
| Basket Power Panel-Top Frame | | |
| SIZE A | DWG. NO. CDW_BASKET_POWER_PANEL_TOP | REV. A |
| DO NOT SCALE DRAWING | | SHEET 5 OF 6 |

| REVISIONS | | | |
|-----------|-------------|------|----------|
| REV. | DESCRIPTION | DATE | APPROVED |



CREATIVE DISPLAY WORKS, INC.

UNLESS OTHERWISE SPECIFIED
DIMENSIONS ARE IN INCHES
TOLERANCES ARE:
FRACTIONS DECIMALS ANGLES
+/- 1/32" +/- .01 +/- 1°

| | |
|------------|-----------|
| APPROVALS | DATE |
| Engineered | |
| Drawn | 10/7/2013 |
| Checked | |

| | | | | |
|----------------------|--|------|-----------------|--------------|
| Power Panel | | SIZE | DWG. NO. | REV. |
| | | A | CDW_POWER_PANEL | A |
| DO NOT SCALE DRAWING | | | | SHEET 6 OF 6 |