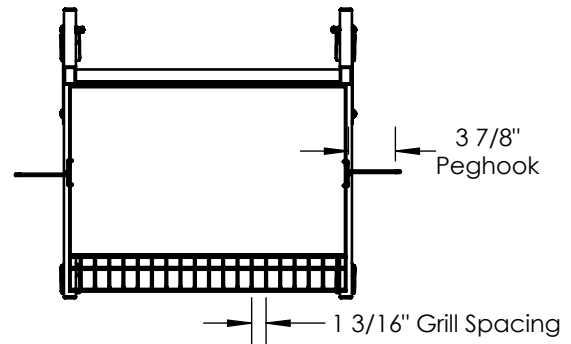
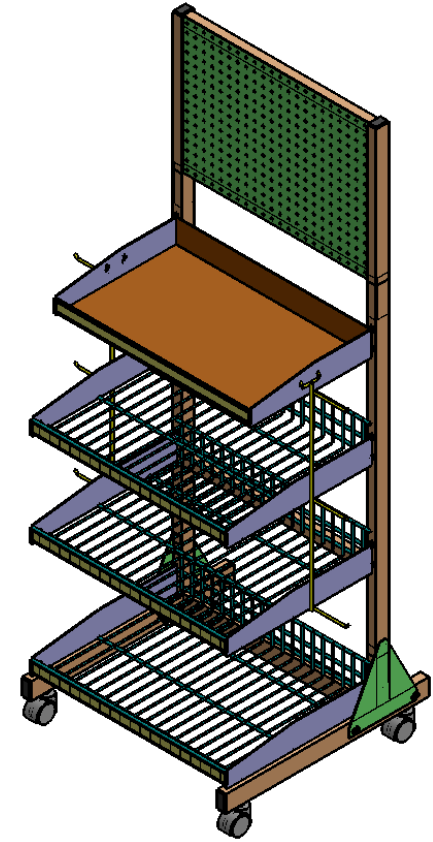
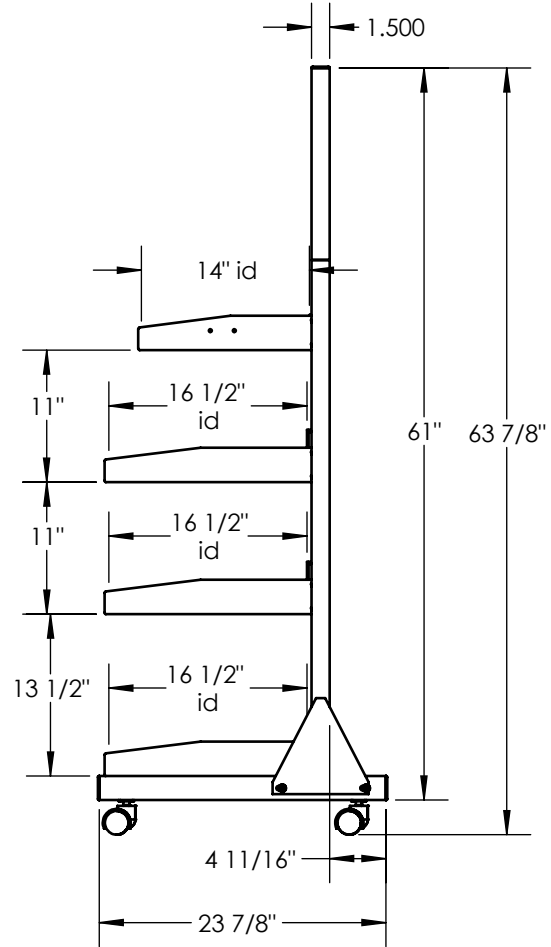
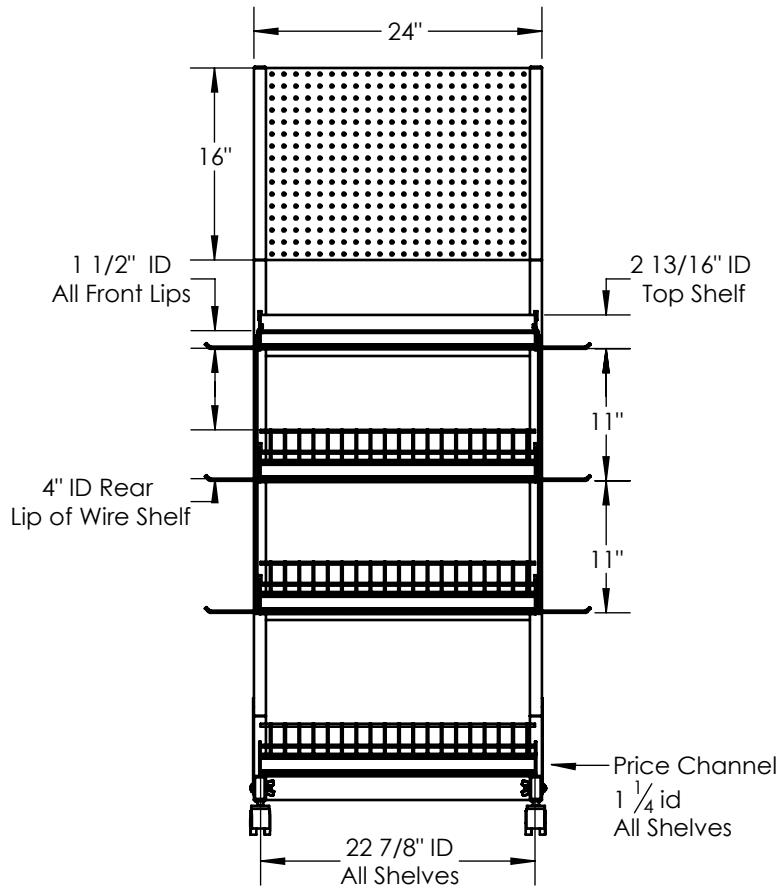


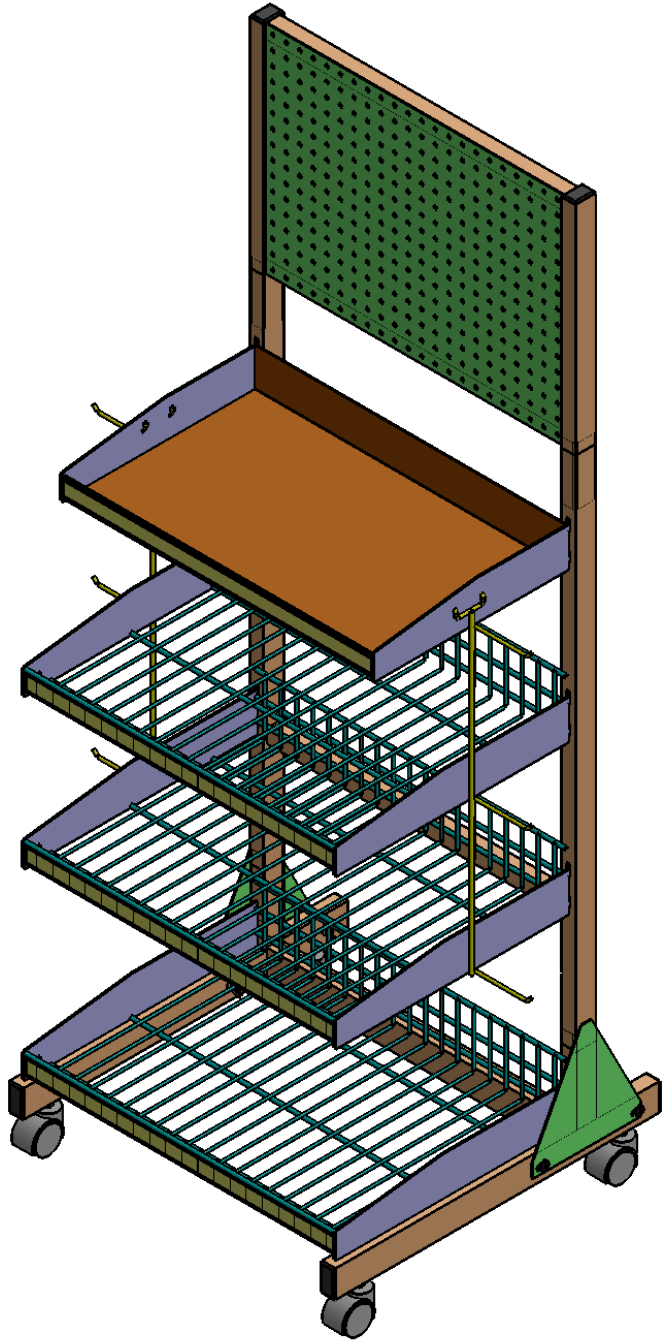
REVISIONS			
REV.	DESCRIPTION	DATE	APPROVED



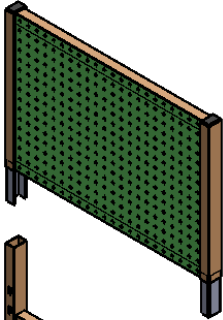
CREATIVE DISPLAY WORKS, INC.			
RacePro Rolling Display- 64x24x24			
SIZE	DWG. NO.	REV.	
A	CDW_RACEPRO_ROLLING DISPLAY-24in	A	
DO NOT SCALE DRAWING			SHEET 1 OF 2

UNLESS OTHERWISE SPECIFIED DIMENSIONS ARE IN INCHES TOLERANCES ARE: FRACTIONS DECIMALS ANGLES +/- 1/32" +/- .01 +/- 1°	APPROVALS	DATE
	Drawn NRD	9/4/2013
	Checked	

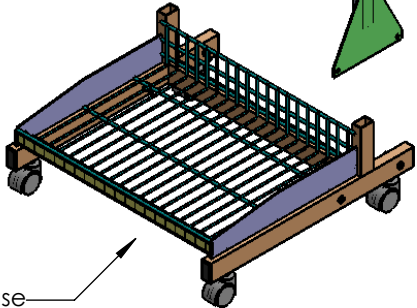
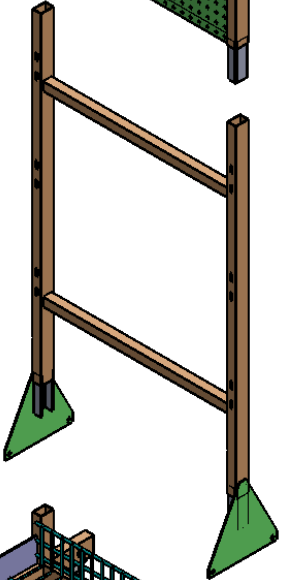
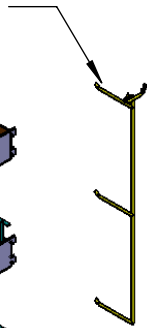
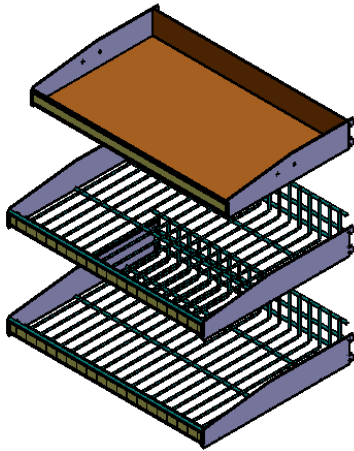
REVISIONS			
REV.	DESCRIPTION	DATE	APPROVED



Metal PegBoard



3 Side Peg Attachment



Base Shelf Welded to Base

CREATIVE DISPLAY WORKS, INC.

RacePro Rolling Display- 64x24x24

UNLESS OTHERWISE SPECIFIED
DIMENSIONS ARE IN INCHES
TOLERANCES ARE:
FRACTIONS DECIMALS ANGLES
+/- 1/32" +/- .01 +/- 1°

APPROVALS
Engineered
Drawn
Checked

DATE
9/4/2013

SIZE DWG. NO. REV.
A CDW_RACEPRO_ROLLING DISPLAY-24in A

DO NOT SCALE DRAWING

SHEET 2 OF 2