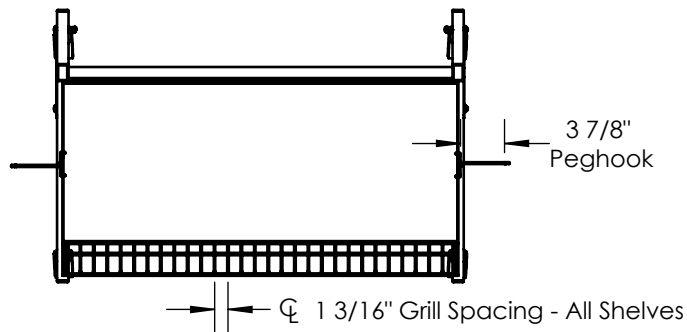
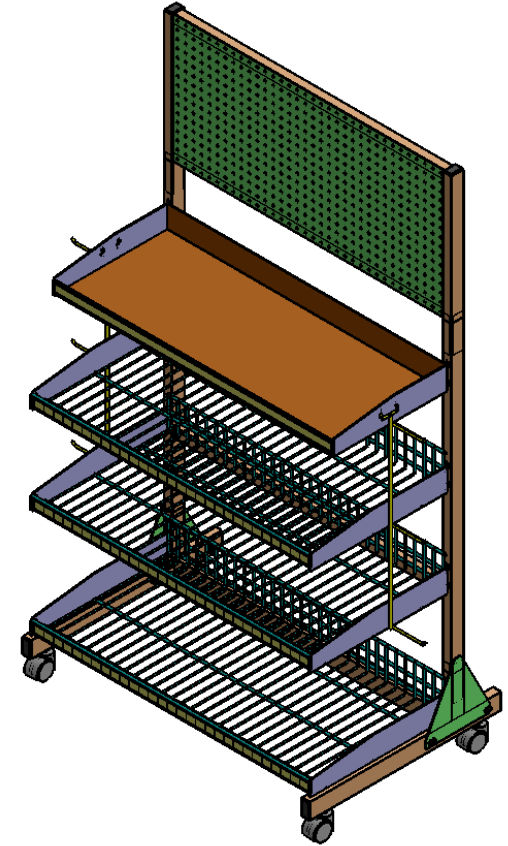
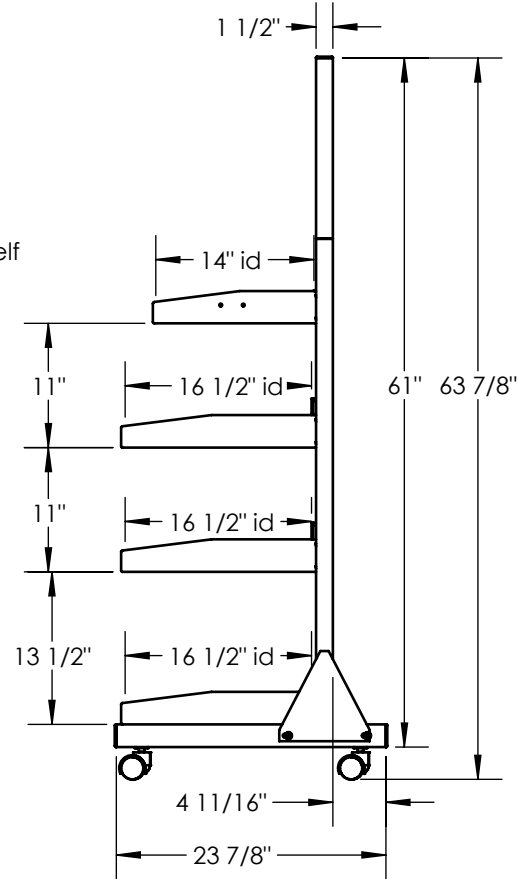
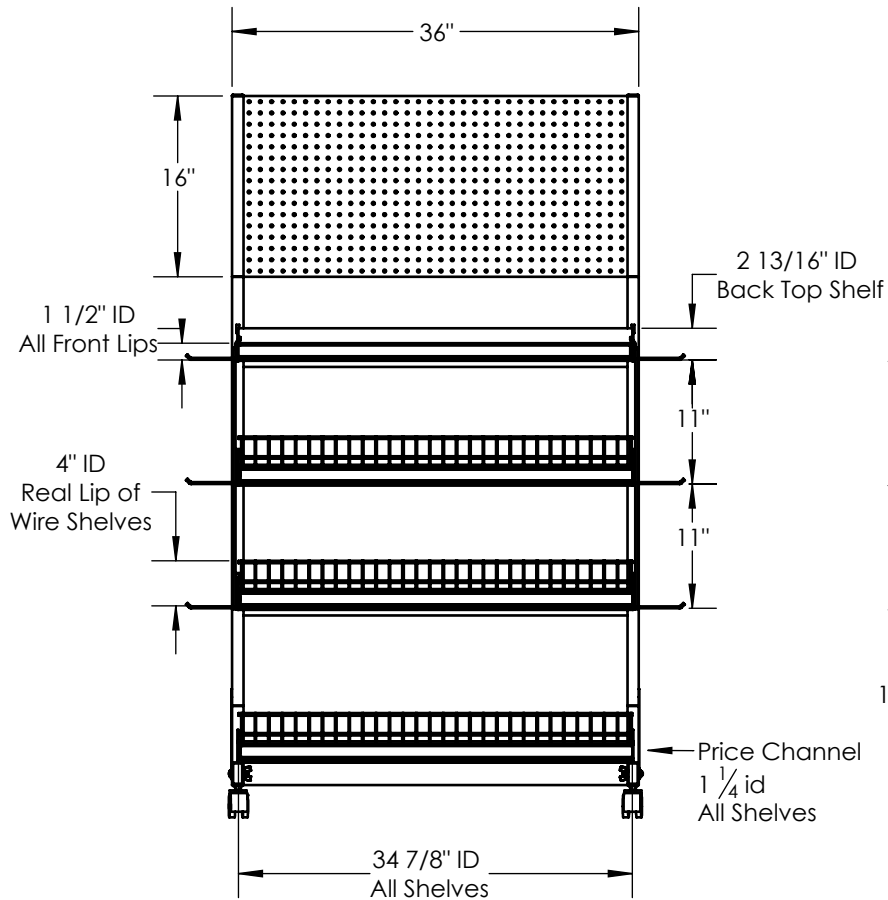


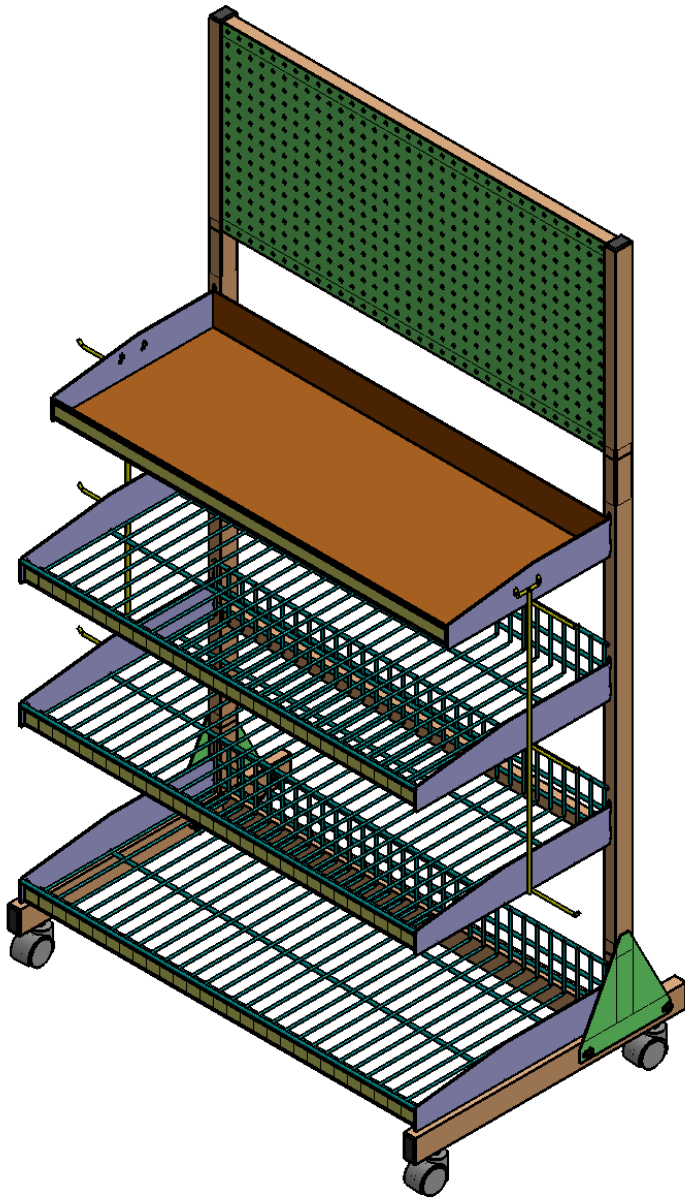
REVISIONS			
REV.	DESCRIPTION	DATE	APPROVED



UNLESS OTHERWISE SPECIFIED DIMENSIONS ARE IN INCHES TOLERANCES ARE: FRACTIONS DECIMALS ANGLES +/- 1/32" +/- .01 +/- 1°	APPROVALS	DATE
	Engineered	
	Drawn	9/4/2013
	Checked	

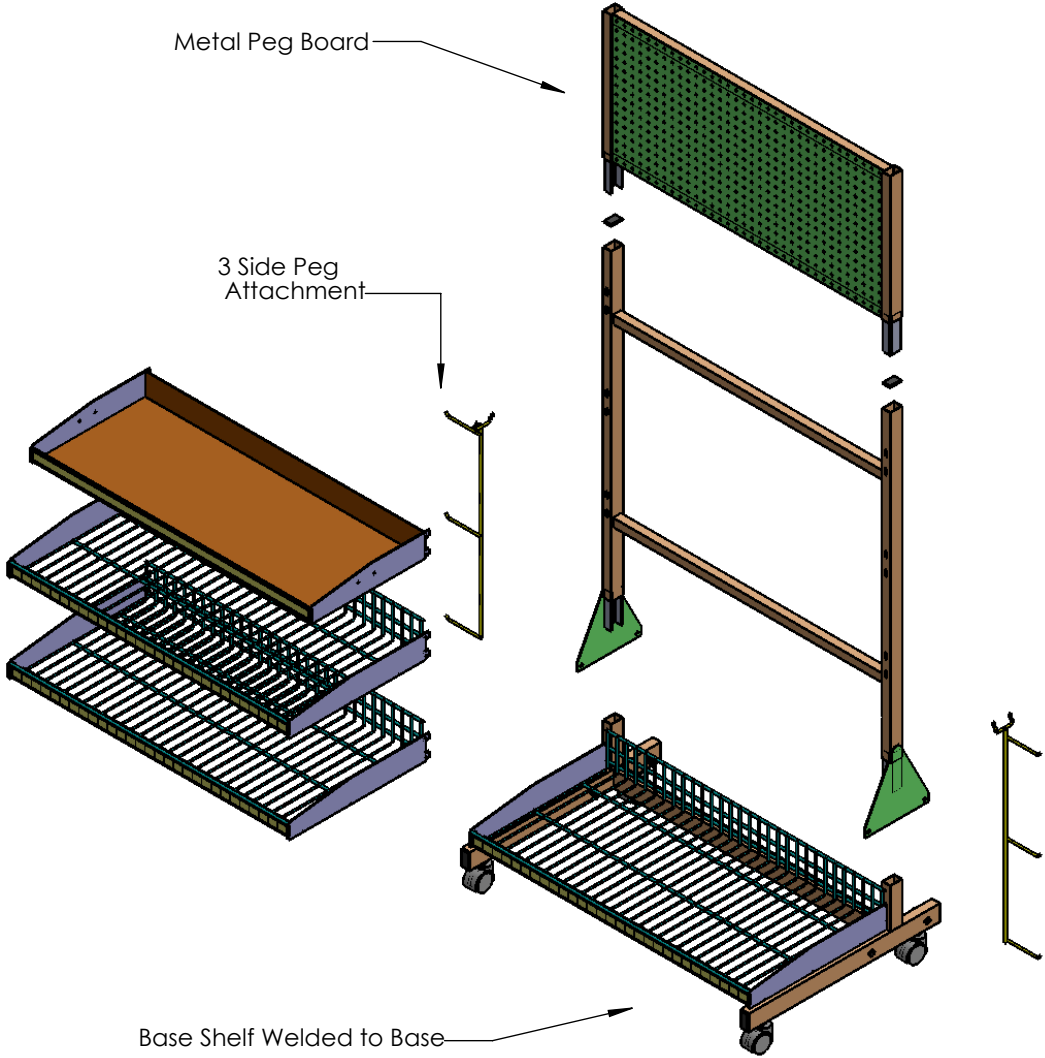
CREATIVE DISPLAY WORKS, INC.		
Race Pro Rolling Display 64x36x24		
SIZE	DWG. NO.	REV.
A	CDW_RACEPRO_ROLLING DISPLAY-36in	A
DO NOT SCALE DRAWING		SHEET 1 OF 2

REVISIONS			
REV.	DESCRIPTION	DATE	APPROVED



Metal Peg Board

3 Side Peg Attachment



Base Shelf Welded to Base

CREATIVE DISPLAY WORKS, INC.

UNLESS OTHERWISE SPECIFIED DIMENSIONS ARE IN INCHES TOLERANCES ARE: FRACTIONS DECIMALS ANGLES +/- 1/32" +/- .01 +/- 1°	APPROVALS	DATE
	Engineered	
	Drawn	9/4/2013
	Checked	

Race Pro Rolling Display 64x36x24	
SIZE	REV.
A	A
DWG. NO. CDW_RACEPRO_ROLLING DISPLAY-36in	
DO NOT SCALE DRAWING	
SHEET 2 OF 2	