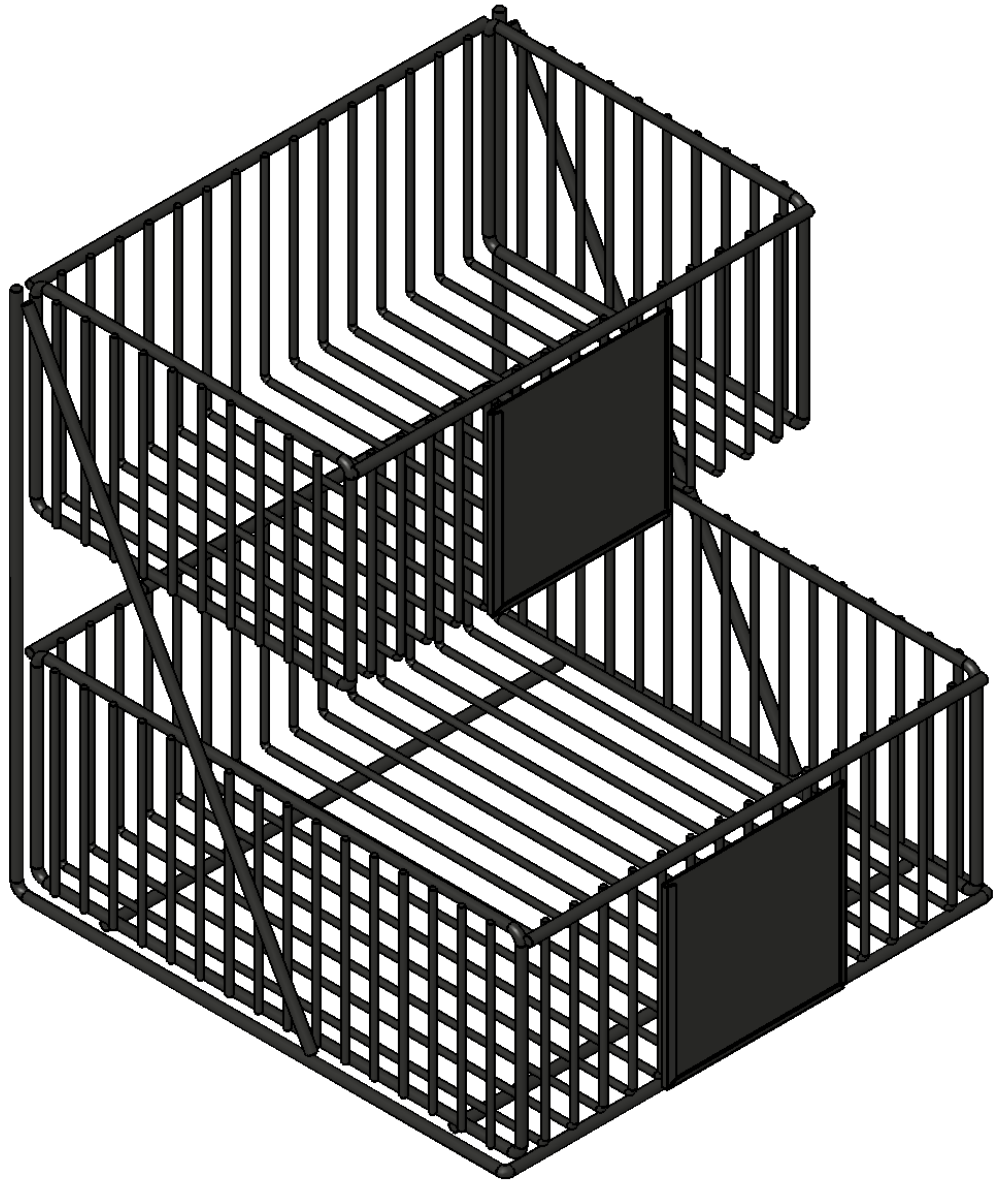


REVISIONS			
REV.	DESCRIPTION	DATE	APPROVED



NOTES:

1. MATERIAL:
2. BLANK SIZE:
3. PROGRAM:
4. BEND RADIUS:
5. BEND DEDUCTION:
6. DEBURR ALL SHARP EDGES AND NIBBLE MARKS.
7. FINISH:

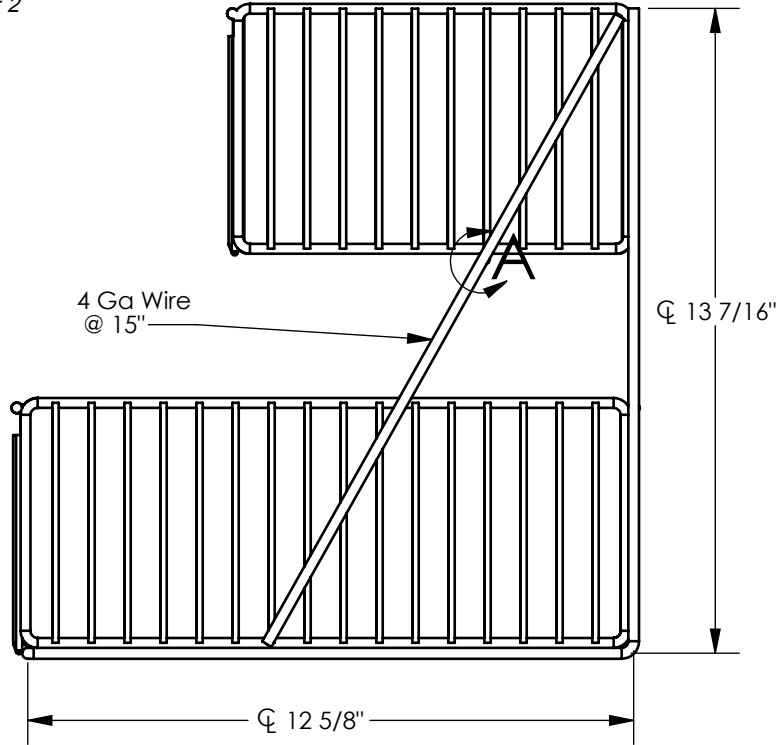
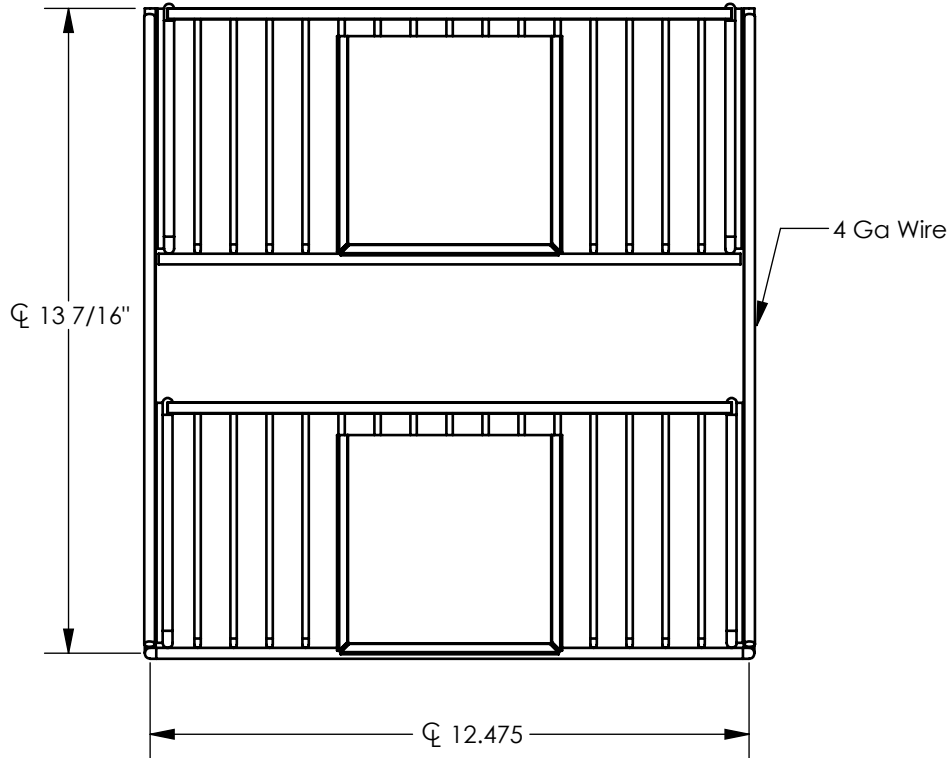
CREATIVE DISPLAY WORKS, INC.			
Waterfall Goody Basket			
SIZE	DWG. NO.	REV.	
A		A	
DO NOT SCALE DRAWING			SHEET 1 OF 6

UNLESS OTHERWISE SPECIFIED DIMENSIONS ARE IN INCHES TOLERANCES ARE: FRACTIONS DECIMALS ANGLES +/- 1/32" +/- .01 +/- 1°	APPROVALS	DATE
	engineered	
CUSTOMER	Drawn	Checked
CDW	NRD	
		11/5/13

REVISIONS			
REV.	DESCRIPTION	DATE	APPROVED



DETAIL A
SCALE 1:2



NOTES:

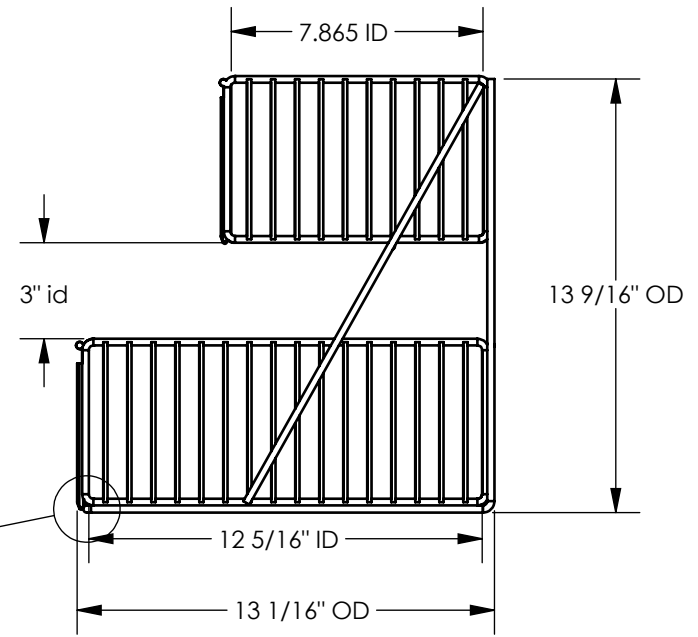
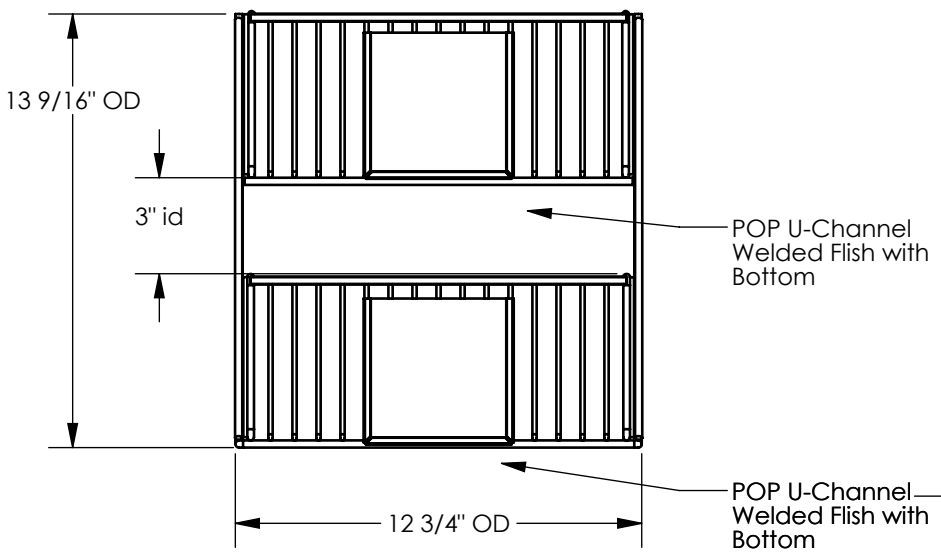
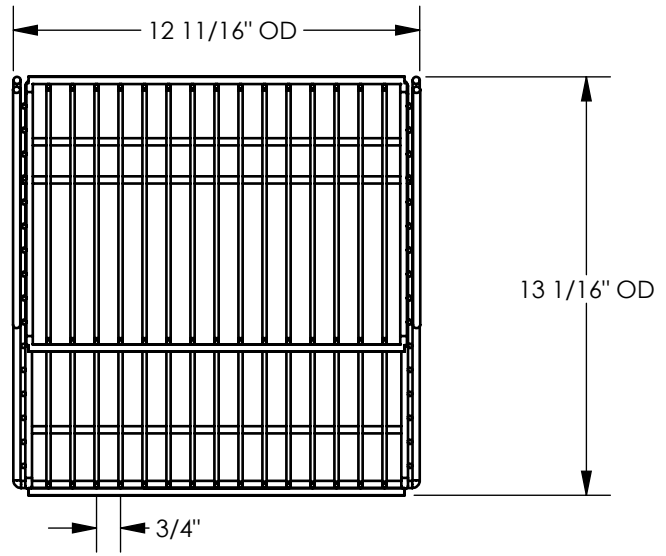
1. MATERIAL:
2. BLANK SIZE:
3. PROGRAM:
4. BEND RADIUS:
5. BEND DEDUCTION:
6. DEBURR ALL SHARP EDGES AND NIBBLE MARKS.
7. FINISH:

CREATIVE DISPLAY WORKS, INC.

Waterfall Goody Basket

UNLESS OTHERWISE SPECIFIED DIMENSIONS ARE IN INCHES TOLERANCES ARE: FRACTIONS DECIMALS ANGLES +/- 1/32" +/- .01 +/- 1°	APPROVALS	DATE	SIZE DWG. NO.		REV.
	Engineered		A		A
CUSTOMER	Drawn	Checked			
CDW	NRD		11/5/13		
			DO NOT SCALE DRAWING		SHEET 2 OF 6

REVISIONS			
REV.	DESCRIPTION	DATE	APPROVED



NOTES:

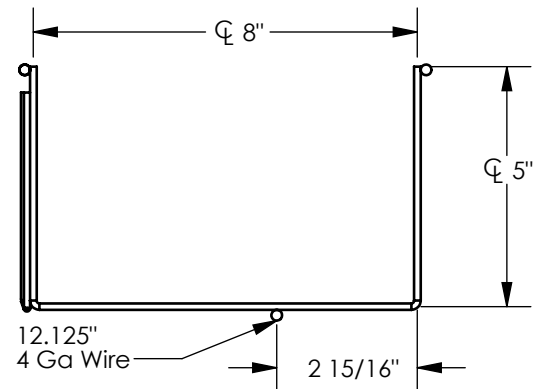
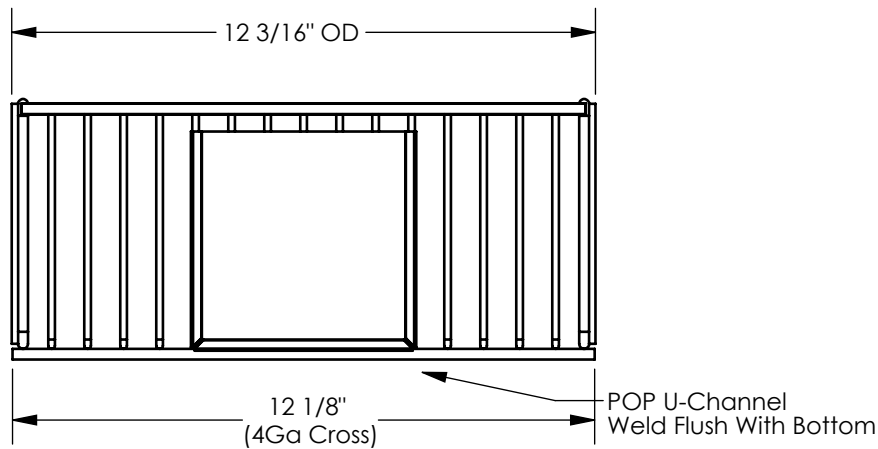
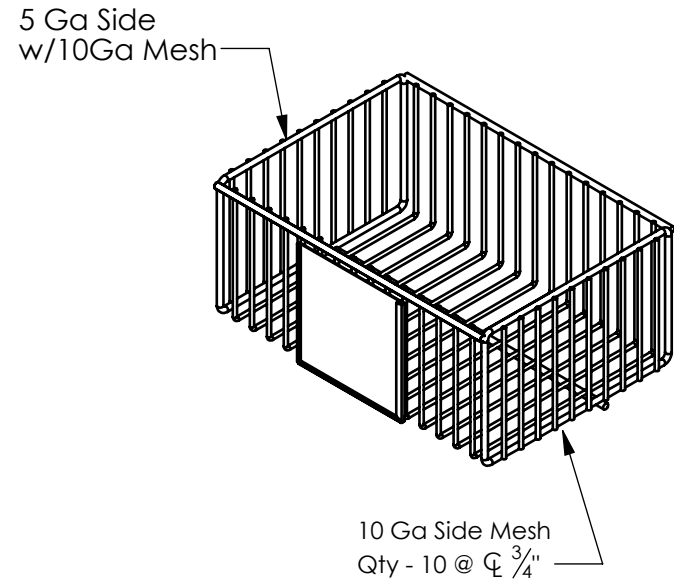
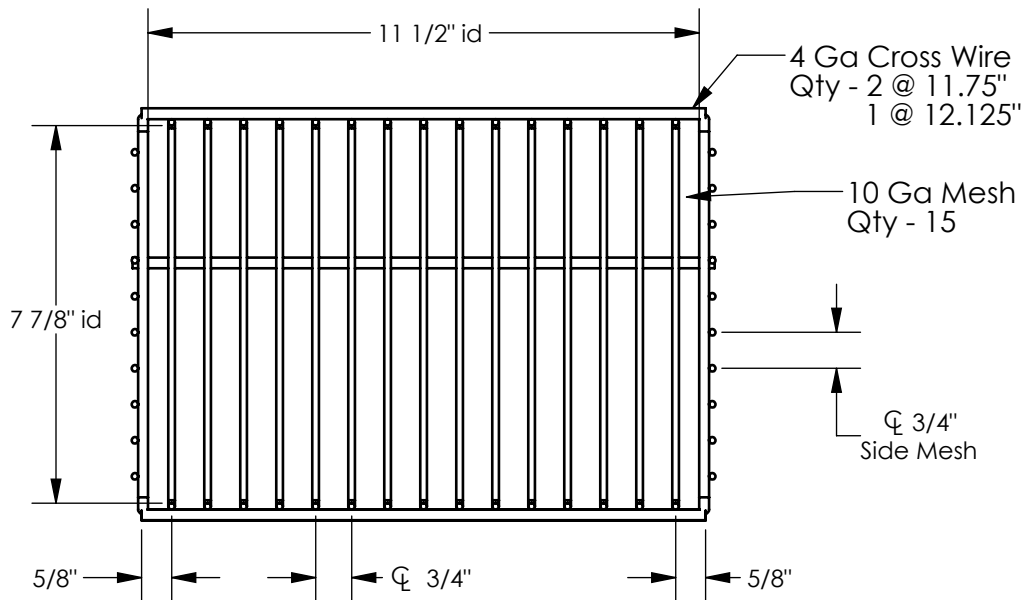
1. MATERIAL:
2. BLANK SIZE:
3. PROGRAM:
4. BEND RADIUS:
5. BEND DEDUCTION:
6. DEBURR ALL SHARP EDGES AND NIBBLE MARKS.
7. FINISH:

CREATIVE DISPLAY WORKS, INC.

UNLESS OTHERWISE SPECIFIED DIMENSIONS ARE IN INCHES TOLERANCES ARE: FRACTIONS DECIMALS ANGLES +/- 1/32" +/- .01 +/- 1°	APPROVALS	DATE
	Engineered	
CUSTOMER	Drawn	Checked
CDW	NRD	
		11/5/13

Waterfall Goody Basket		
SIZE	DWG. NO.	REV.
A		A
DO NOT SCALE DRAWING		SHEET 3 OF 6

REVISIONS			
REV.	DESCRIPTION	DATE	APPROVED



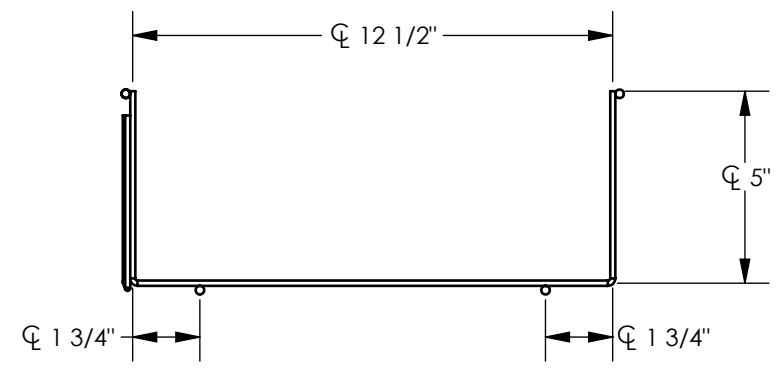
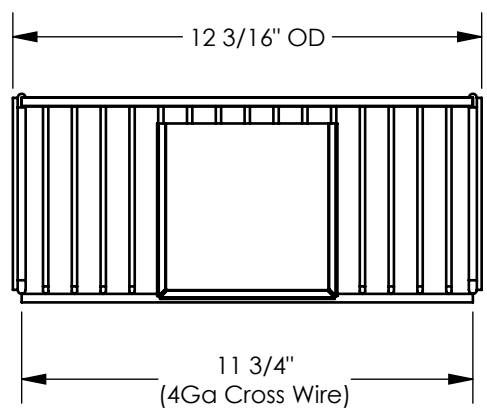
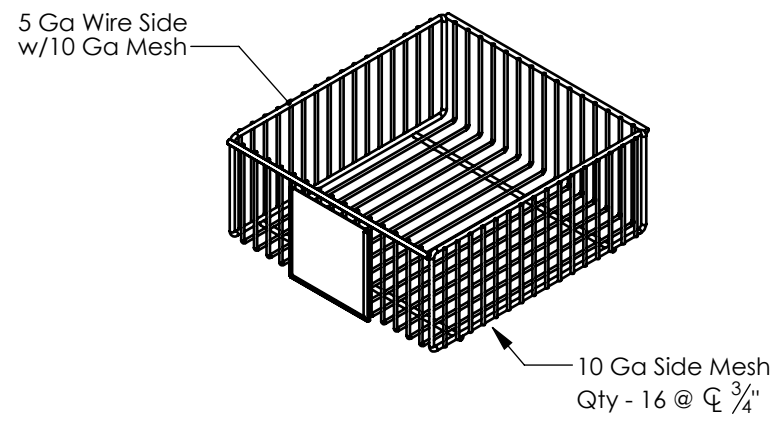
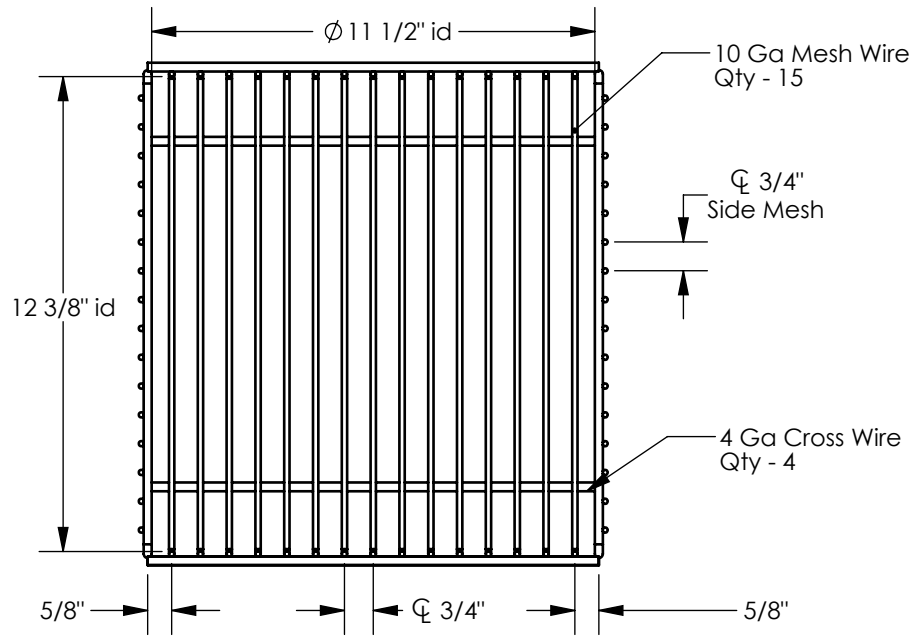
NOTES:

1. MATERIAL: 4 Ga Cross Wire & 10Ga Mesh Wire
2. BLANK SIZE:
3. PROGRAM:
4. BEND RADIUS:
5. BEND DEDUCTION:
6. DEBURR ALL SHARP EDGES AND NIBBLE MARKS.
7. FINISH:

CREATIVE DISPLAY WORKS, INC.

UNLESS OTHERWISE SPECIFIED DIMENSIONS ARE IN INCHES TOLERANCES ARE: FRACTIONS DECIMALS ANGLES +/- 1/32" +/- .01 +/- 1°	APPROVALS Engineered	DATE	Waterfall Goody Basket- Top Tier	
	Drawn NRD	11/5/13	SIZE A	REV. A
CUSTOMER CDW	Checked		DO NOT SCALE DRAWING	

REVISIONS			
REV.	DESCRIPTION	DATE	APPROVED



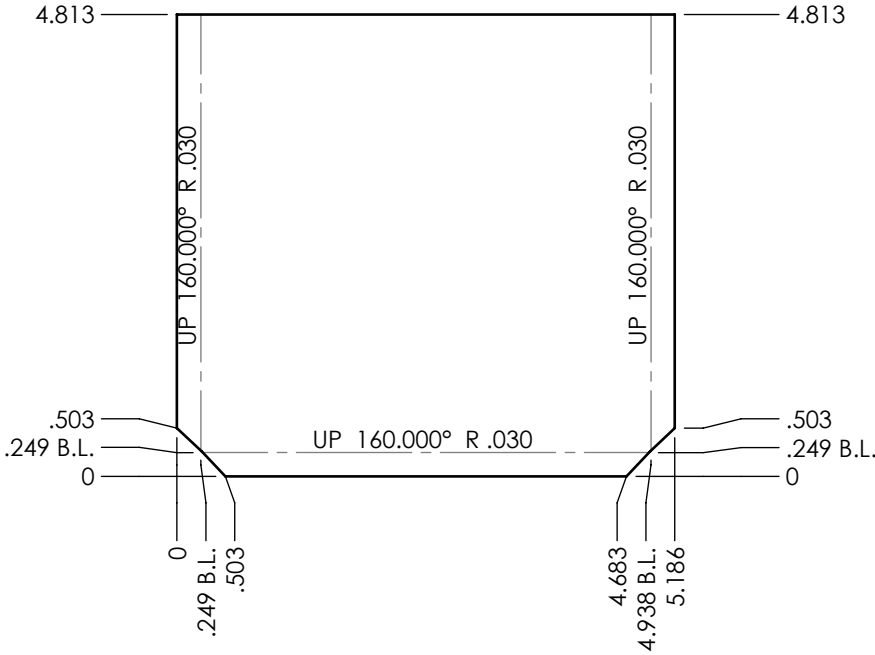
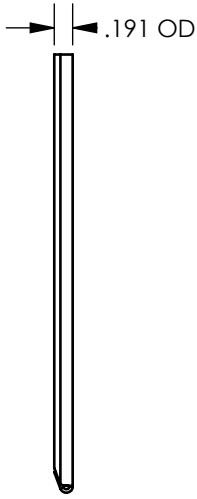
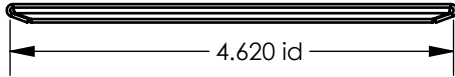
- NOTES:
1. MATERIAL: 4 Ga Cross Wire & 10Ga Mesh Wire
 2. BLANK SIZE:
 3. PROGRAM:
 4. BEND RADIUS:
 5. BEND DEDUCTION:
 6. DEBURR ALL SHARP EDGES AND NIBBLE MARKS.
 7. FINISH:

CREATIVE DISPLAY WORKS, INC.

UNLESS OTHERWISE SPECIFIED DIMENSIONS ARE IN INCHES TOLERANCES ARE: FRACTIONS DECIMALS ANGLES +/- 1/32" +/- .01 +/- 1°	APPROVALS Engineered	DATE
	NRD	11/5/13
CUSTOMER	Drawn	Checked
CDW	NRD	11/5/13

Waterfall Goody Basket- Bottom Tier		REV. A
SIZE A	DWG. NO.	
DO NOT SCALE DRAWING		SHEET 5 OF 6

REVISIONS			
REV.	DESCRIPTION	DATE	APPROVED



NOTES:

1. MATERIAL: 20 Ga CRS
2. BLANK SIZE: Misising
3. PROGRAM: Missing
4. BEND RADIUS: 0.03
5. BEND DEDUCTION: 0.061
6. DEBURR ALL SHARP EDGES AND NIBBLE MARKS.
7. FINISH:

CREATIVE DISPLAY WORKS, INC.

UNLESS OTHERWISE SPECIFIED DIMENSIONS ARE IN INCHES TOLERANCES ARE: FRACTIONS DECIMALS ANGLES +/- 1/32" +/- .01 +/- 1°	APPROVALS	DATE
	Engineered NRD	
	Drawn NRD	10/31/13
CUSTOMER CDW	Checked	

Waterfall Goody Basket - POP Channel		REV. A
SIZE A	DWG. NO. CDW_WTRFLL_GOODY_303	
DO NOT SCALE DRAWING		SHEET 6 OF 6