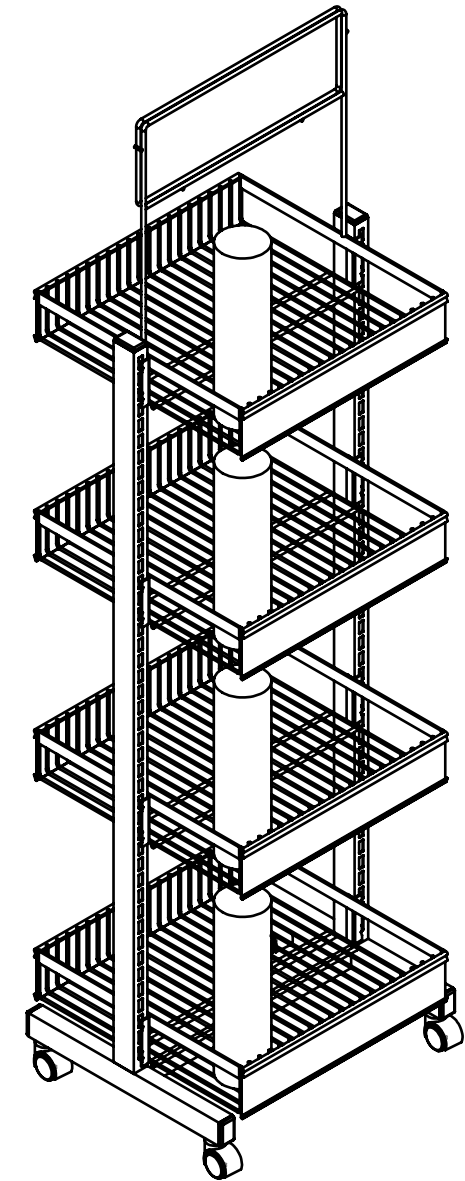
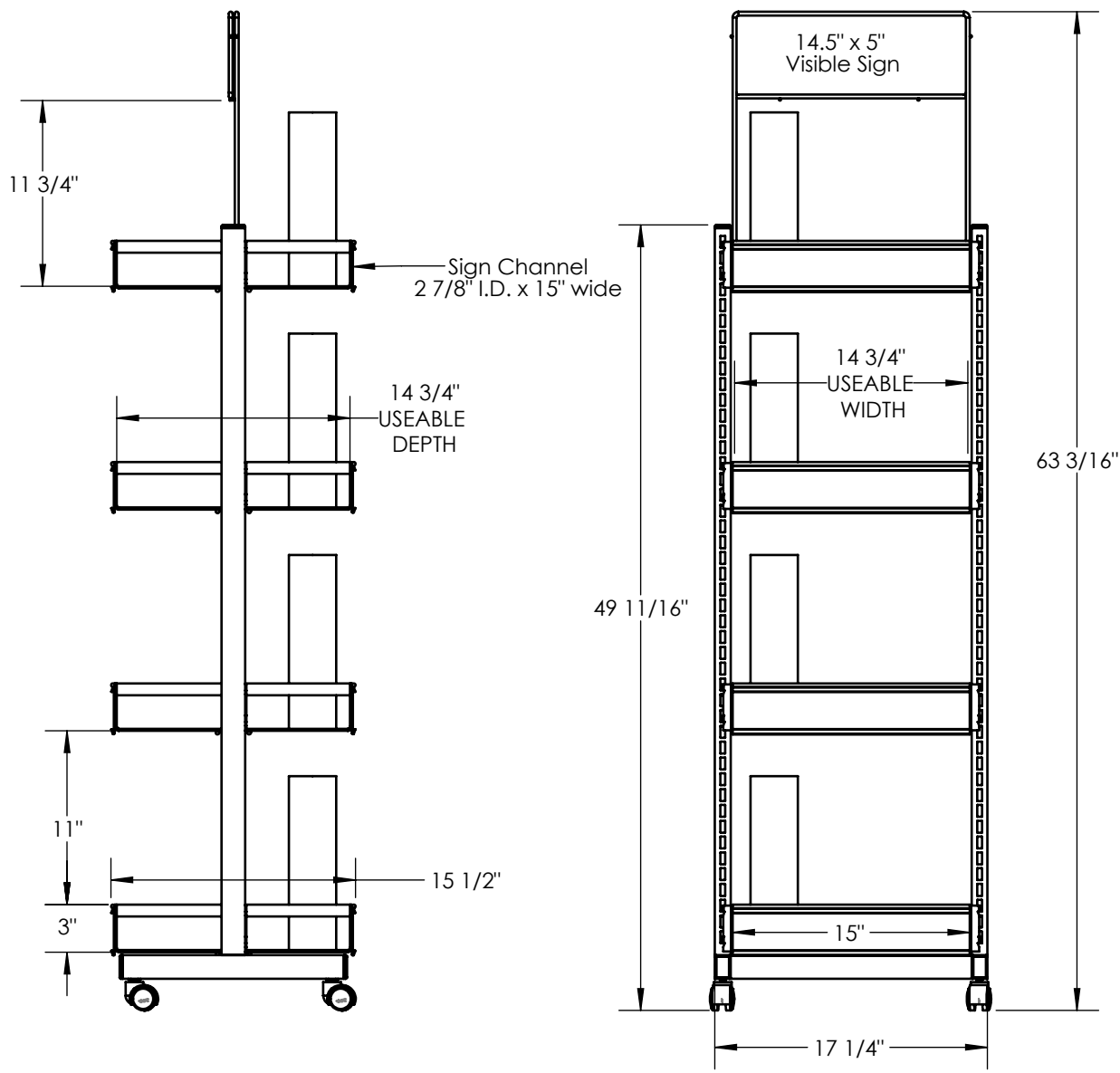


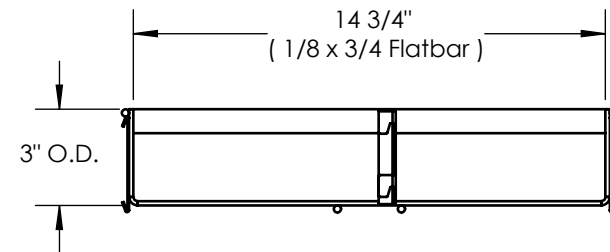
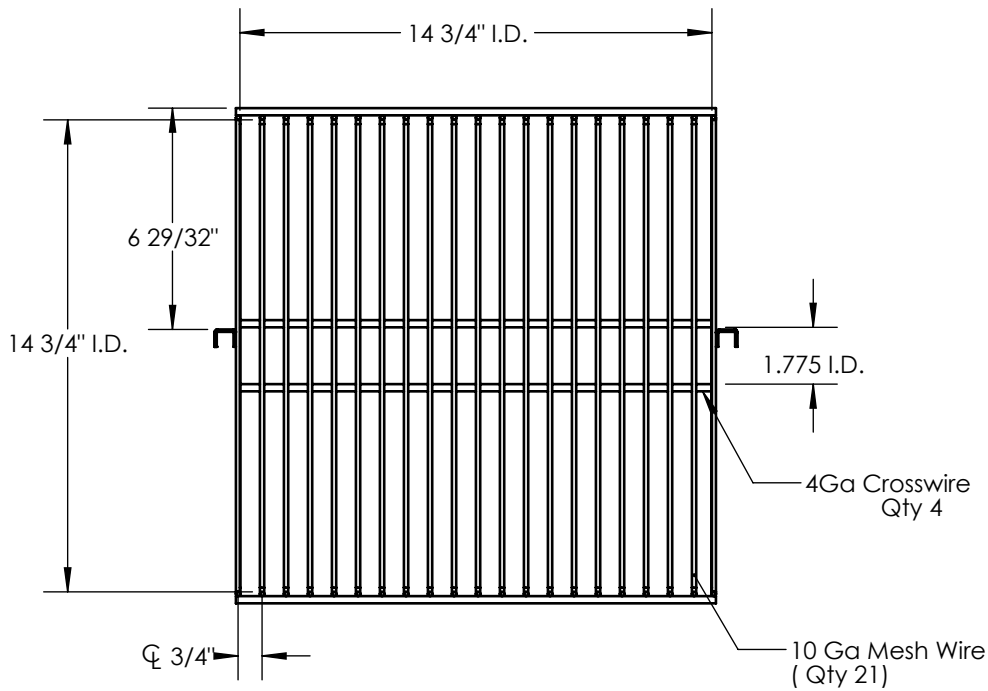
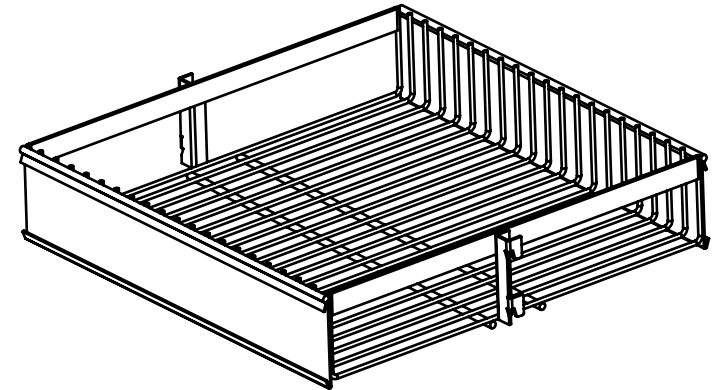
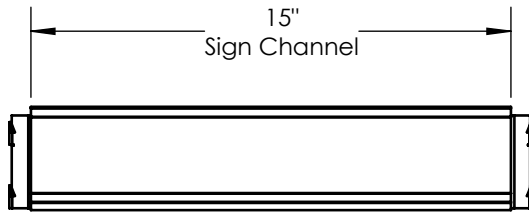
REVISIONS			
REV.	DESCRIPTION	DATE	APPROVED



CREATIVE DISPLAY WORKS, INC.			
Circle K Mug Rack			
SIZE	DWG. NO.	REV.	
A	CDW-CK REFILL MUG RACK	A	
DO NOT SCALE DRAWING			SHEET 1 OF 6

UNLESS OTHERWISE SPECIFIED DIMENSIONS ARE IN INCHES TOLERANCES ARE: FRACTIONS DECIMALS ANGLES +/- 1/32" +/- .01 +/- 1°	APPROVALS	DATE
	Engineered	
	Drawn	6/19/13
	Checked	ND
CUSTOMER		

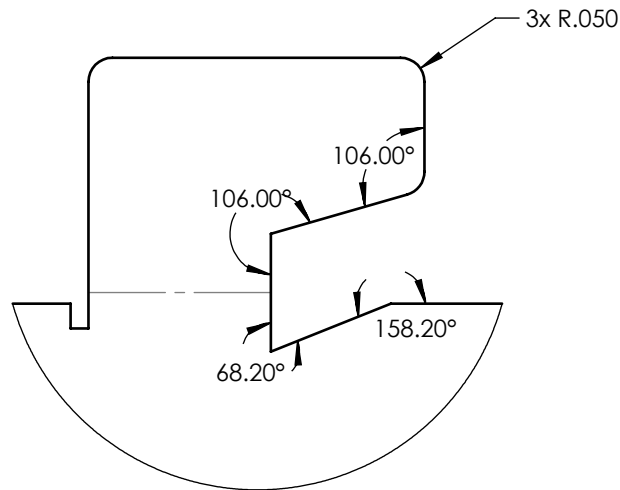
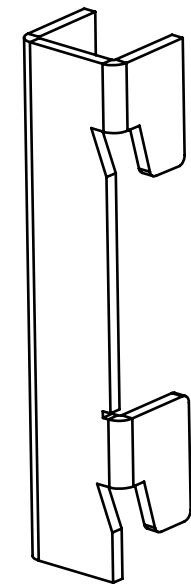
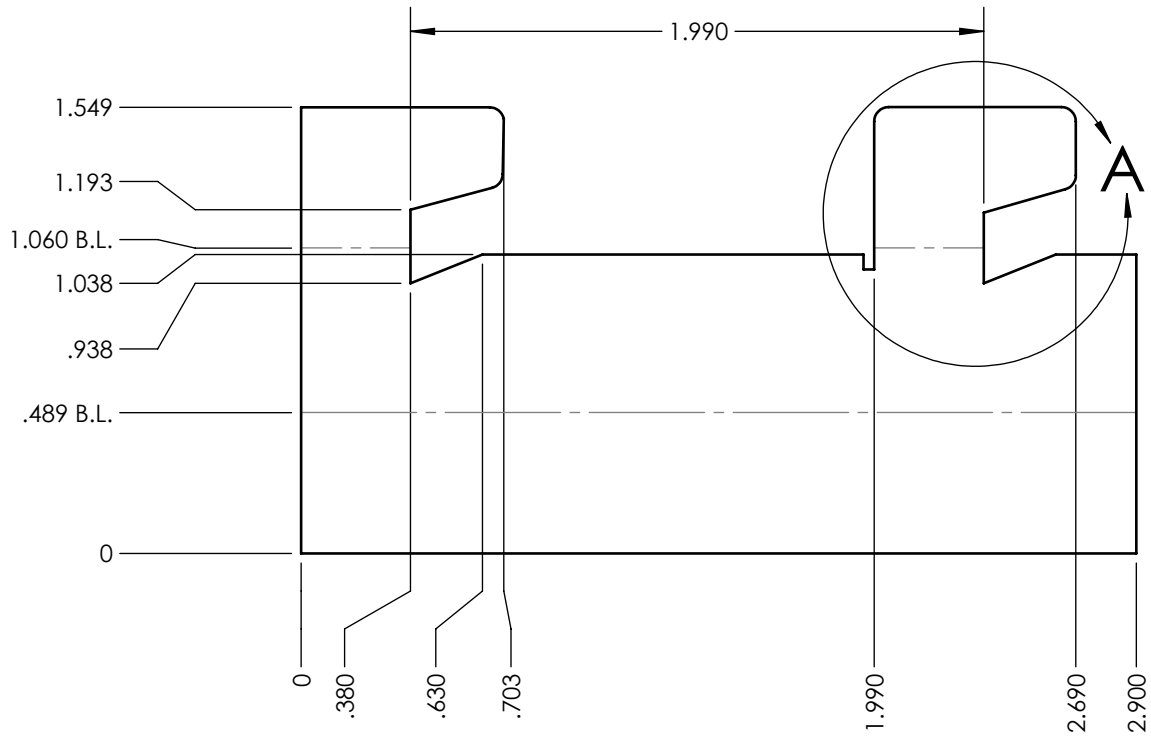
REVISIONS			
REV.	DESCRIPTION	DATE	APPROVED



CREATIVE DISPLAY WORKS, INC.			
Cricle K Mug Rack Basket			
SIZE	DWG. NO.	REV.	
A	CDW-CK-REFILL BASKET 2	A	
DO NOT SCALE DRAWING			SHEET 2 OF 6

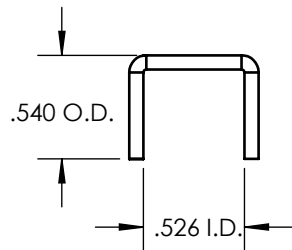
UNLESS OTHERWISE SPECIFIED DIMENSIONS ARE IN INCHES TOLERANCES ARE: FRACTIONS DECIMALS ANGLES +/- 1/32" +/- .01 +/- 1°	APPROVALS	DATE
	Engineered	
	Drawn	6/19/13
	Checked	ND

REVISIONS			
REV.	DESCRIPTION	DATE	APPROVED



CRS 14Ga
BR: 0.015
BD: 0.1025

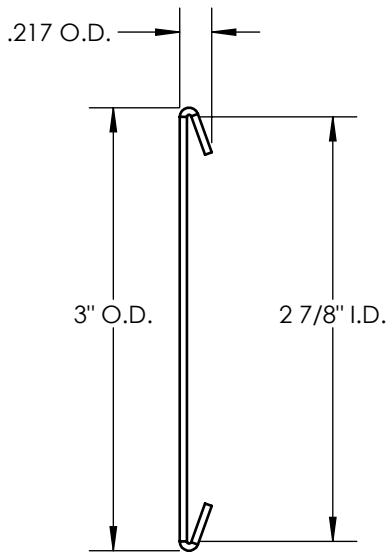
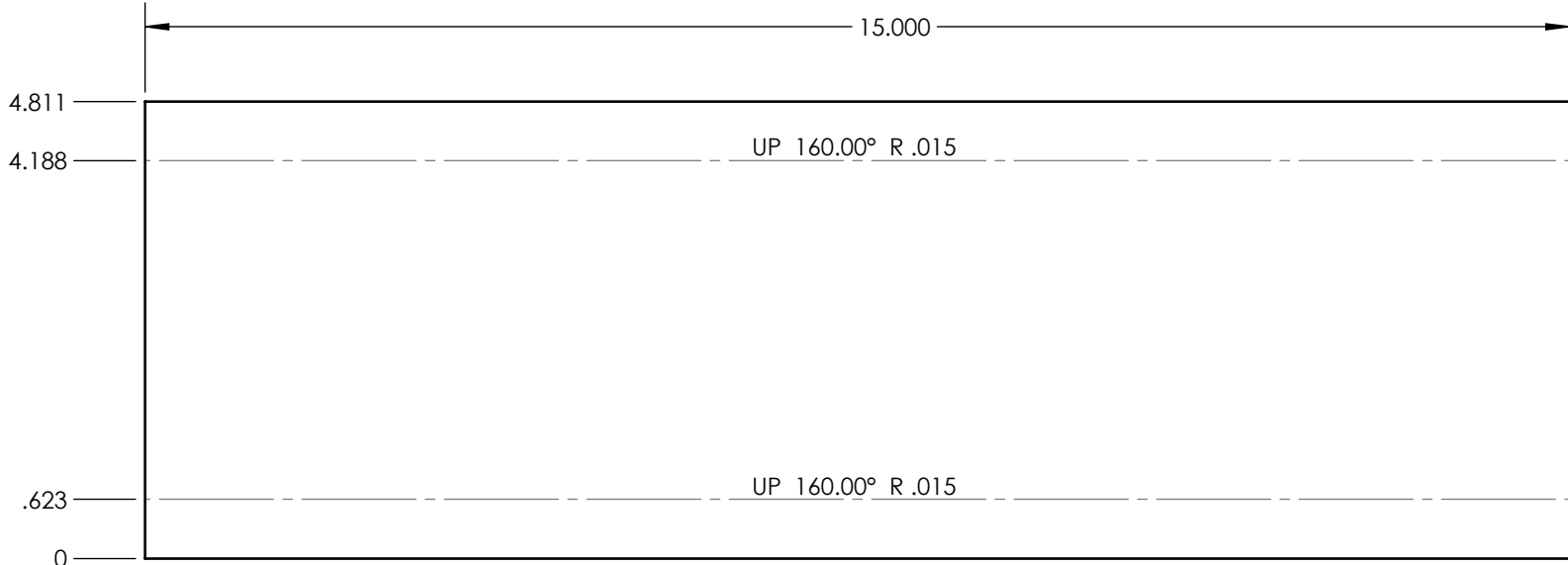
2 Pieces Per Tier, Left and Right
-Bend Down for Right
-Up For Left



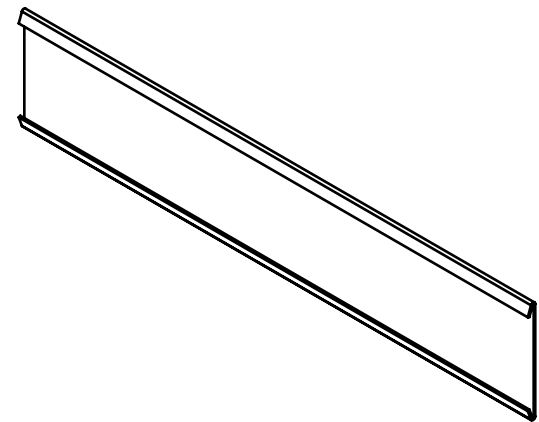
CREATIVE DISPLAY WORKS, INC.

UNLESS OTHERWISE SPECIFIED DIMENSIONS ARE IN INCHES TOLERANCES ARE: FRACTIONS DECIMALS ANGLES +/- 1/32" +/- .01 +/- 1°	APPROVALS	DATE	Cricle K Mug Rack- Basket Hangers L & R	
	Engineered		SIZE	DWG. NO.
	Drawn	ND	6/19/13	CDWL_BASKET_CNNCT_HOOK R
CUSTOMER	Checked		DO NOT SCALE DRAWING	REV. A

REVISIONS			
REV.	DESCRIPTION	DATE	APPROVED



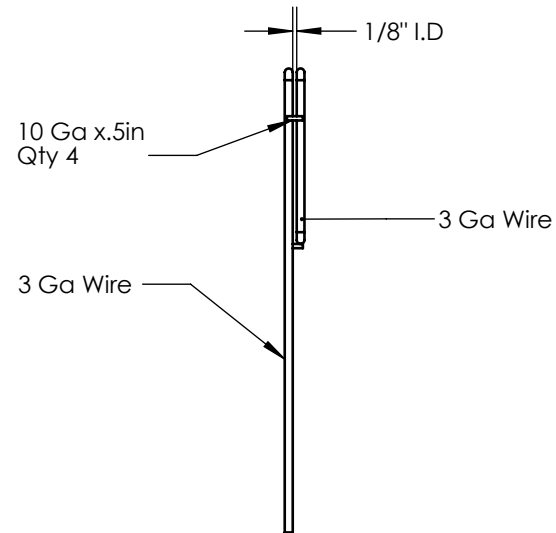
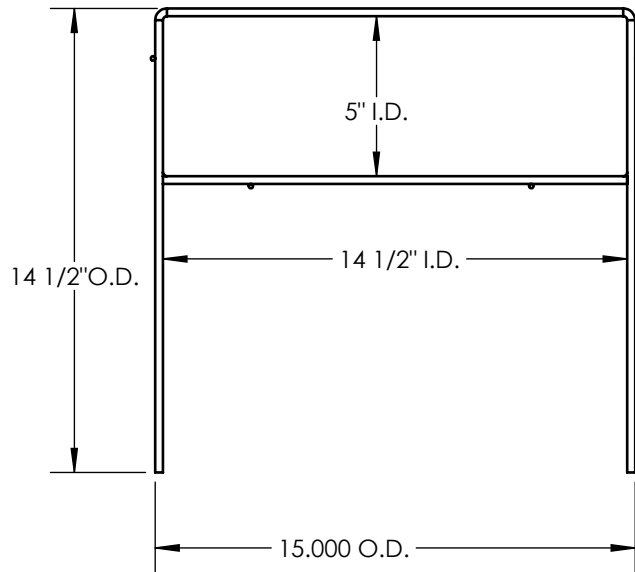
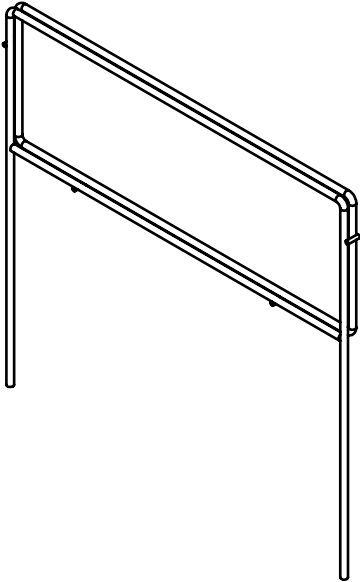
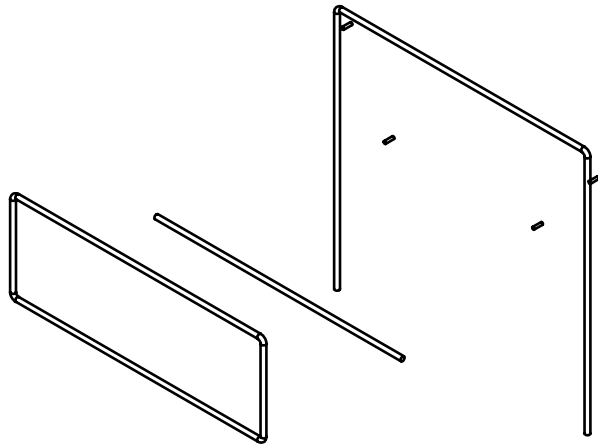
CRS 18 Ga
 Bend Radius: 0.015
 Bend Deduc: 0.0242



CREATIVE DISPLAY WORKS, INC.			
Cricle K Mug Rack- Basket Sign Channel			
SIZE	DWG. NO.	REV.	
A	CDWL_BASKET_SIGN_15x3IN	A	
DO NOT SCALE DRAWING			SHEET 4 OF 6

UNLESS OTHERWISE SPECIFIED DIMENSIONS ARE IN INCHES TOLERANCES ARE: FRACTIONS DECIMALS ANGLES +/- 1/32" +/- .01 +/- 1°	APPROVALS	DATE
	Engineered	
	Drawn	
CUSTOMER	Checked	
	ND	6/19/13

REVISIONS			
REV.	DESCRIPTION	DATE	APPROVED

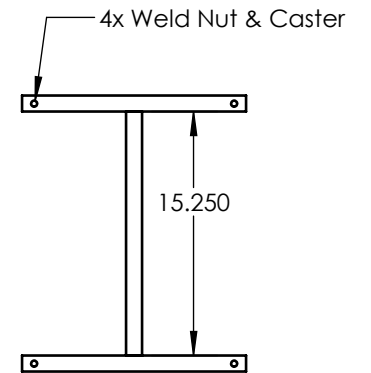
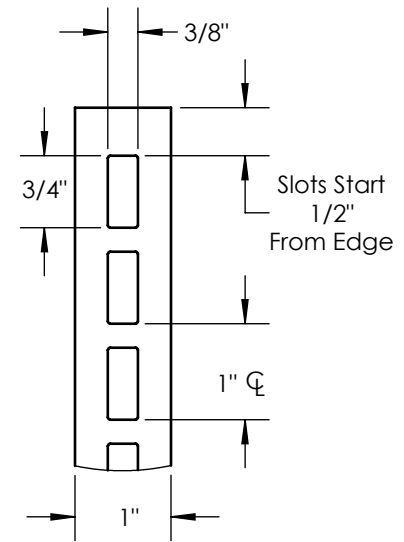
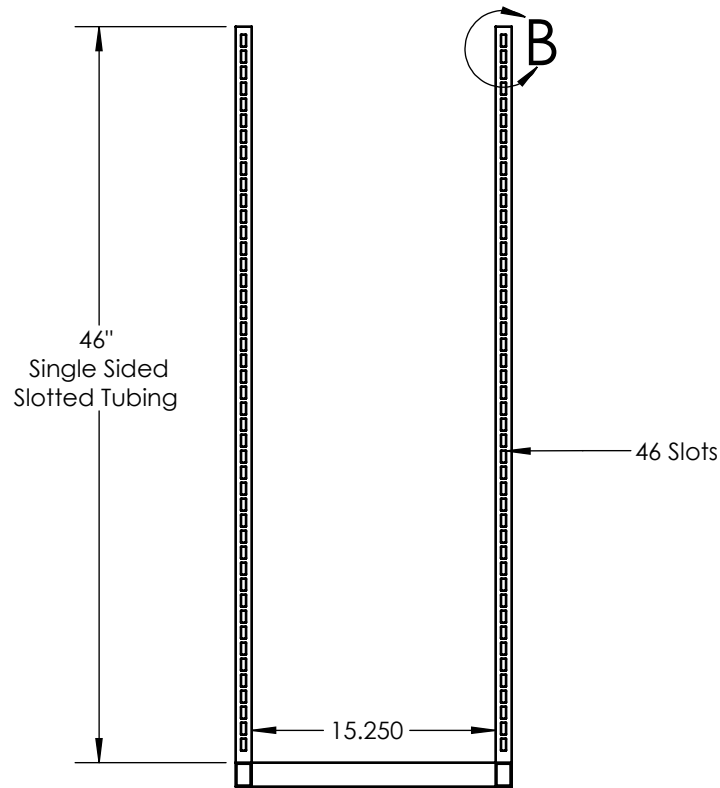
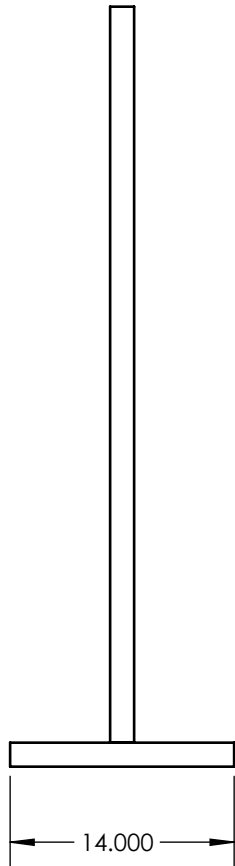


CREATIVE DISPLAY WORKS, INC.

UNLESS OTHERWISE SPECIFIED DIMENSIONS ARE IN INCHES TOLERANCES ARE: FRACTIONS DECIMALS ANGLES +/- 1/32" +/- .01 +/- 1°	APPROVALS	DATE	CREATIVE DISPLAY WORKS, INC.	
	Engineered		Circle K Mug Rack	
CUSTOMER	Drawn	6/19/13	SIZE A	DWG. NO. CDW-CK REFILL MUG RACK
	Checked	ND		REV. A
			DO NOT SCALE DRAWING	
			SHEET 5 OF 6	

All Tube: 1.5x1 16 Ga

REVISIONS			
REV.	DESCRIPTION	DATE	APPROVED



CREATIVE DISPLAY WORKS, INC.			
Cricle K Mug Rack - Frame			
SIZE	DWG. NO.	REV.	
A	CDW- CK REFILL FRAME	A	
DO NOT SCALE DRAWING			SHEET 6 OF 6

UNLESS OTHERWISE SPECIFIED DIMENSIONS ARE IN INCHES TOLERANCES ARE: FRACTIONS DECIMALS ANGLES +/- 1/32" +/- .01 +/- 1°	APPROVALS	DATE
	Engineered	
	Drawn	6/19/13
	Checked	ND