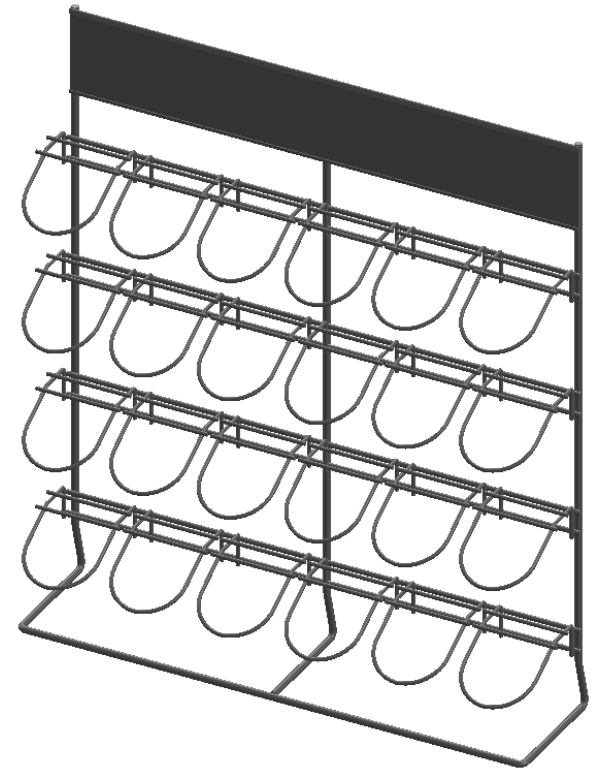
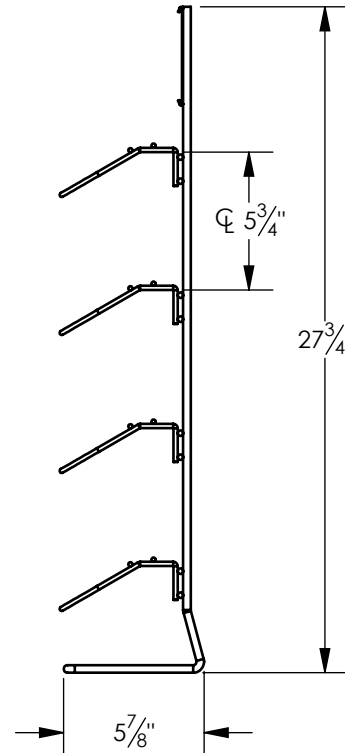
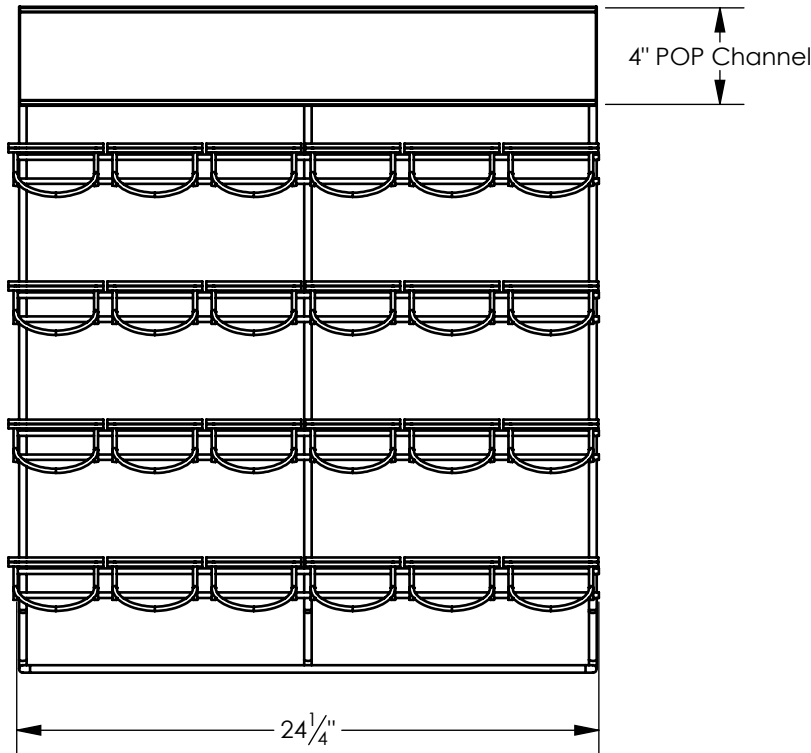
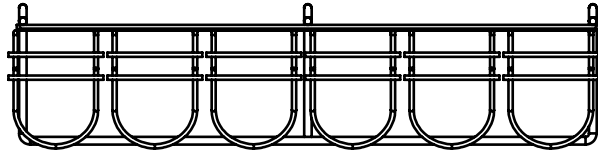


UNLESS OTHERWISE SPECIFIED
 DIMENSIONS ARE IN INCHES
 TOLERANCES ARE:
 FRACTIONS DECIMALS ANGLES
 +/- 1/32" +/- .01 +/- 1°
 CUSTOMER

APPROVALS <small>Engineered</small>	DATE
NRD	1-29-15
Drawn NRDNRD	1-29-15
Checked	

CDW CREATIVE DISPLAY
 WORKS INC.
 Donut Hole Rack- 24 Cups (6Wx4H)

SIZE A	DWG. NO.	REV. A
DO NOT SCALE DRAWING		SHEET 1 OF 2



CDW CREATIVE DISPLAY WORKS INC.

UNLESS OTHERWISE SPECIFIED DIMENSIONS ARE IN INCHES TOLERANCES ARE: FRACTIONS DECIMALS ANGLES +/- 1/32" +/- .01 +/- 1°	APPROVALS	DATE
	Engineered NRD	1-29-15
	Drawn NRDNRD	1-29-15
	Checked	
CUSTOMER Circle-K		

Donut Hole Rack- 24 Cups (6Wx4H)		REV. A
SIZE A	DWG. NO.	
DO NOT SCALE DRAWING		SHEET 2 OF 2