

# CDW CREATIVE DISPLAY WORKS INC.

## Tobacco Fixtures 2024



Tobacco bar in pic – Qty 4 custom 2ft wide x 63” tall cabinets with “no drink” toppers for client. Adjustable shelves spaced for Zyns and boxed vapor. Flat shelves for cigars and Zyn 5 pack rolls. Mini liquor fixed pusher shelves on far-right cabinet.

Creative Display Works designs and manufactures all types of sales displays for the c-store industry. We take pride in making our industry-leading tobacco displays and shipping them fully assembled for our clients. We manufacture in Phoenix, Arizona, and ship on pallet to 48 states. Call us or reply today to get a custom quote for your store’s tobacco display and fixture needs.



## Our Tobacco Fixture Features

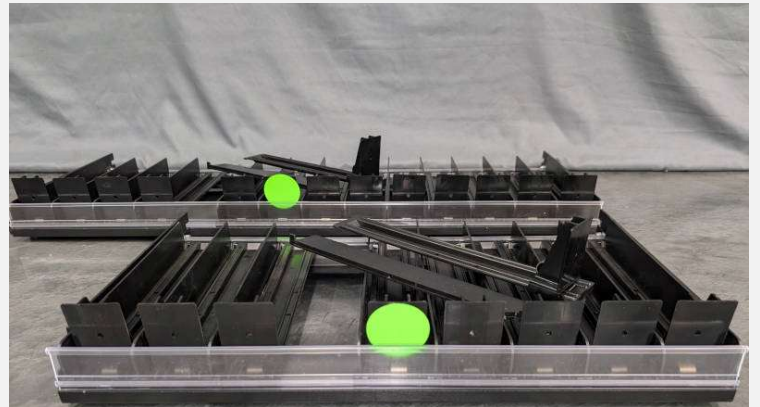
- Our standard 2ft and 3ft wide cabinets bolt together in-line, so we can build any length tobacco bar you need.
- Tobacco cabinets are made to **90"** standard height. We can also make your custom size cabinets, such as for placement on countertops.
- Fully welded construction means no assembly needed. Once in your store and placed, simply use the supplied bolts to connect cabinets together. Place your shelves as needed, plug LED into a standard outlet, and your display is ready to stock.
- CDW fixtures are built with hand welded steel and sheet metal to ensure long-term durability.
- Finished in textured black industrial power coat for an attractive and long-lasting finish that hides fingerprints.
- Solid sheet  $\frac{1}{4}$ " black MDF wood on cabinet sides and back give the cabinets a bookcase look so you don't see the wall behind. We also offer Plexi-glass cabinet backs as an option – for displays being placed in front of store windows.
- Our shelves are adjustable in 1" height increments. Individual shelves can be moved to different locations and height adjusted as needed. They can be set how you need them and be changed as your product mix changes.
- All CDW tobacco pusher shelves pull forward and tilt down, allowing for easier merchandising and inventory counts.
- We offer '**Fixed pusher shelves**' that are made to display your cigarette packs with perfect spacing. And we offer '**Adjustable pusher shelves**' that have removeable parts, allowing for OTP, odd-sized product, chew cans, Zyns, or boxed vape products. And we also offer '**Flat shelves**' with no pushers, if you need to display cig cartons, cigars, wider boxes, or chew/Zyn 5-can rolls.
- LED backlit header signs accept translucent signage for your tobacco vendor's advertising or store promotions. LED sign headers also feature an additional row of bright LEDs to shine down on the colorful product packaging below.
- Matching liquor cabinets, storage fixtures, and locking base storage units are also available.

# CDW CREATIVE DISPLAY WORKS INC.

Our 2ft & 3ft Tobacco Shelves – Fixed, Adjustable & Flat



'Fixed' pusher shelves for perfectly spaced cig packs



'Adjustable' pusher shelves have removeable parts for OTP



Our adjustable shelves spaced for Zyns – 7/11 facings



Our adjustable shelves spaced for chew cans – 8/12 facings



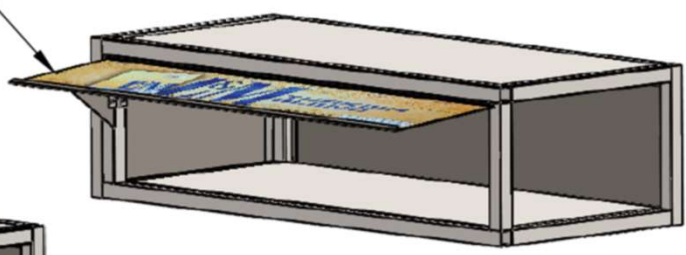
'Flat' shelves with no pushers are available



Fixed mini-liquor pusher shelves 12/18 facings

LED HEADER FLIPS UP TO ALLOW ACCESS TO STORAGE

LED BACKLIT HEADER INCLUDES DOWN LIGHTING

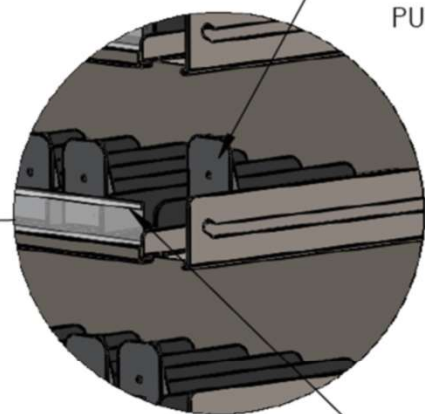


BLACK WOOD SIDES AND BACK

STORAGE AREA

90" TALL CUSTOM HEIGHTS AVAILABLE

ADJUSTABLE SPRING LOADED PUSHERS



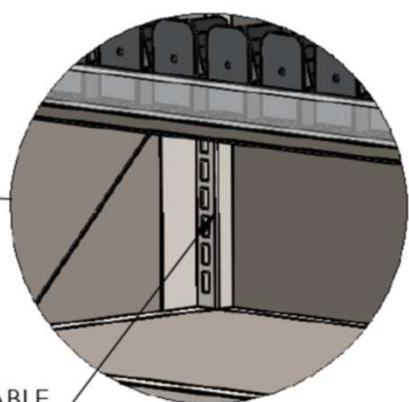
SKU TAG CHANNELS

SHELVES PULL FORWARD AND TILT DOWN FOR EASY LOADING AND INVENTORY

WELDED STEEL TUBING AND SHEET METAL CONSTRUCTION NO ASSEMBLY REQUIRED

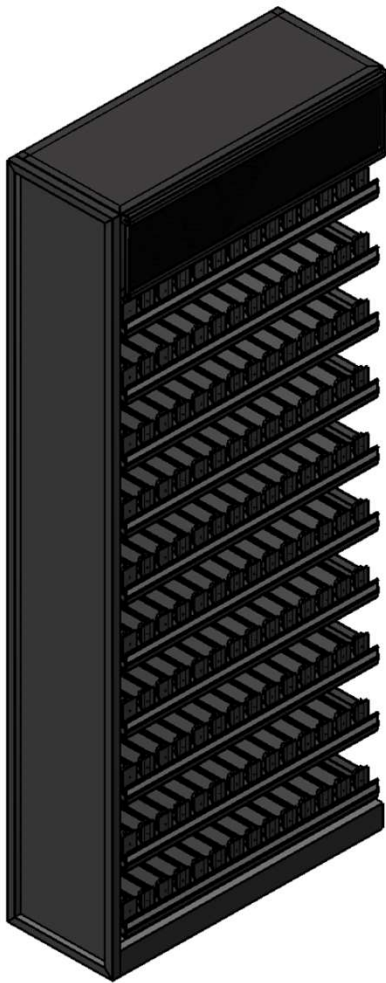
2' AND 3' WIDTHS AVAILABLE

ADJUSTABLE SHELVING

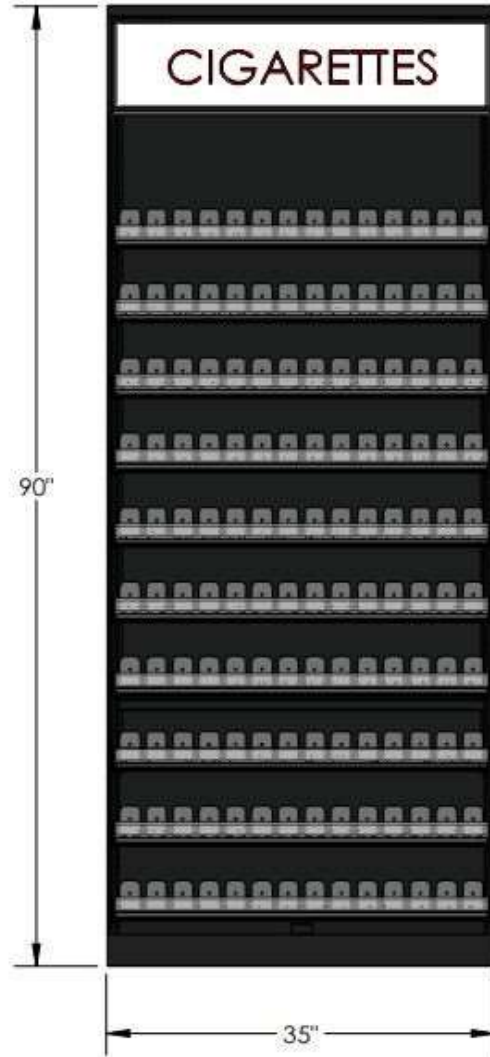


# CDW CREATIVE DISPLAY WORKS INC.

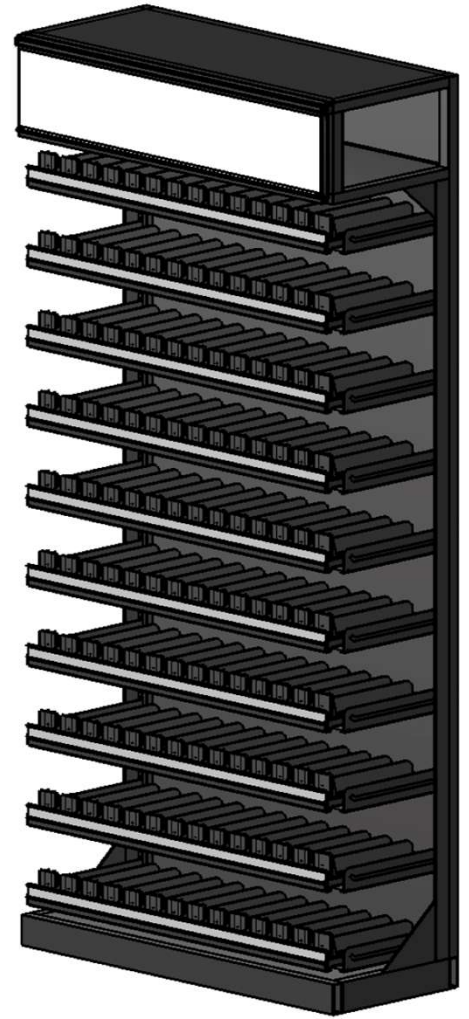
## 3ft Wide x 90" Tall Tobacco Fixture with 10 Shelves



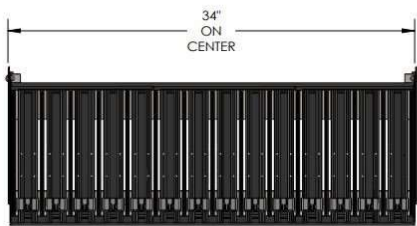
Shown with modular side panel



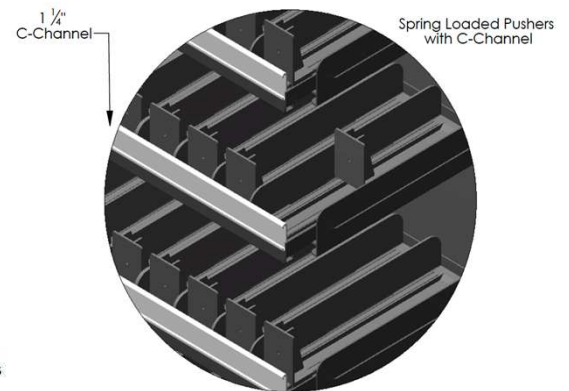
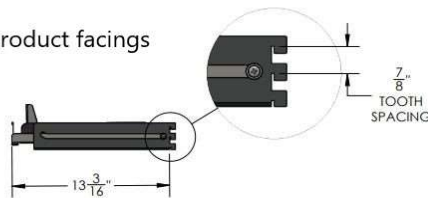
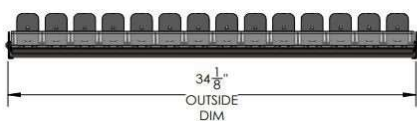
3ft x 90" front view



All tobacco cabinets are made to 15 1/2" depth



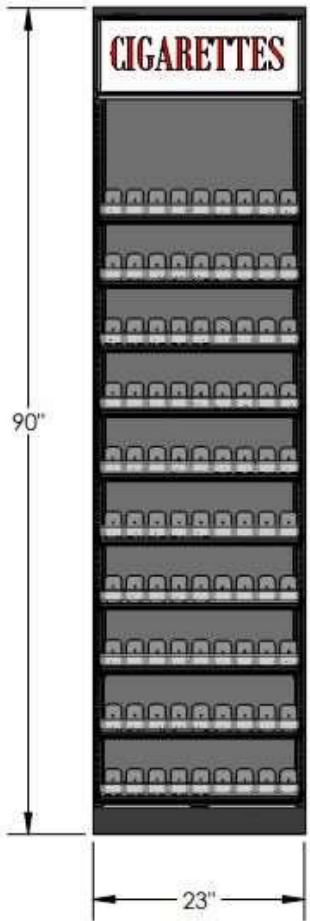
3ft cig shelf with 14 pushers/product facings



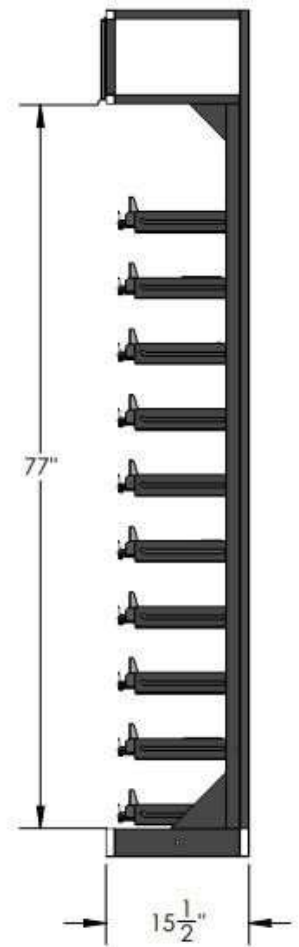
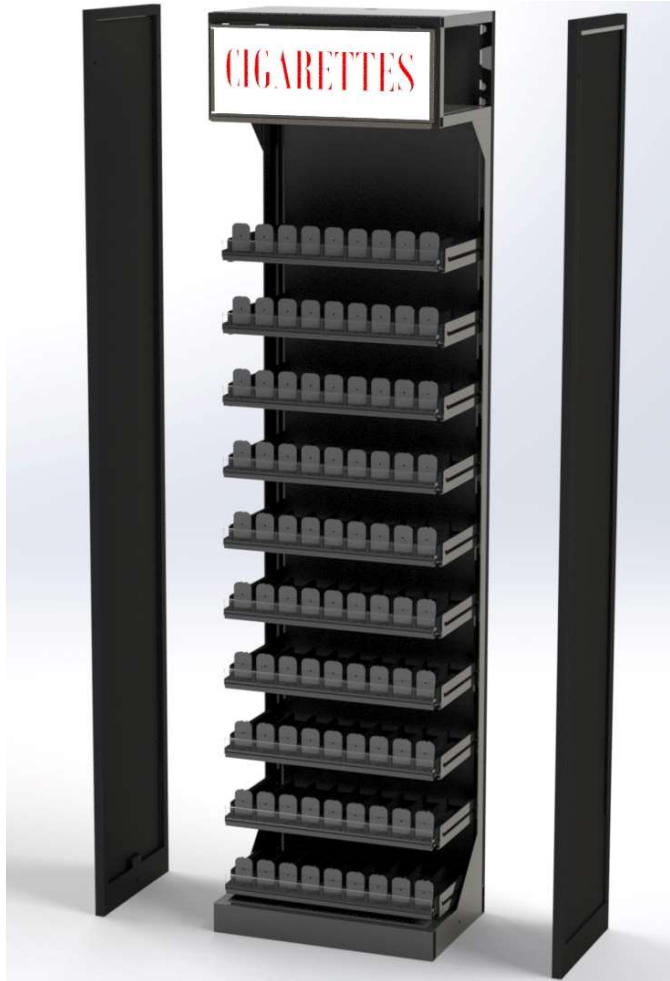
Spring Loaded Pushers with C-Channel

# CDW CREATIVE DISPLAY WORKS INC.

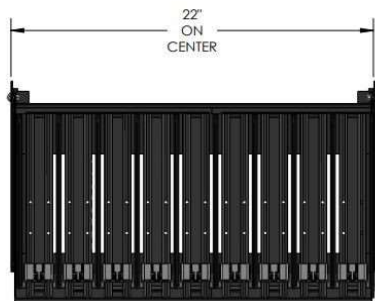
2ft Wide x 90" Tall Tobacco Fixture with 10 Shelves



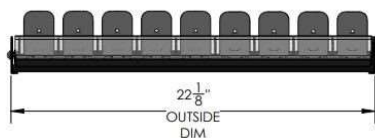
2ft x 90" tobacco cabinet



2ft x 90" side view

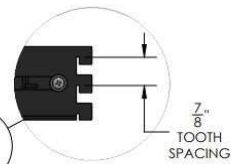
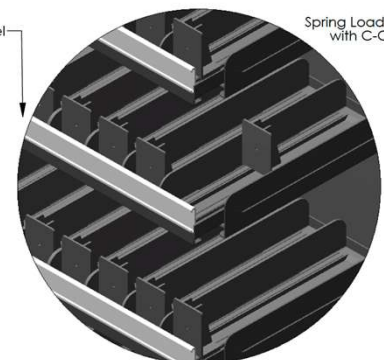


2ft cig shelf with 9 pushers/product facings

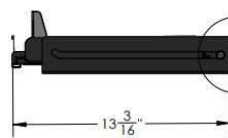


1/4" C-Channel

Spring Loaded Pushers with C-Channel

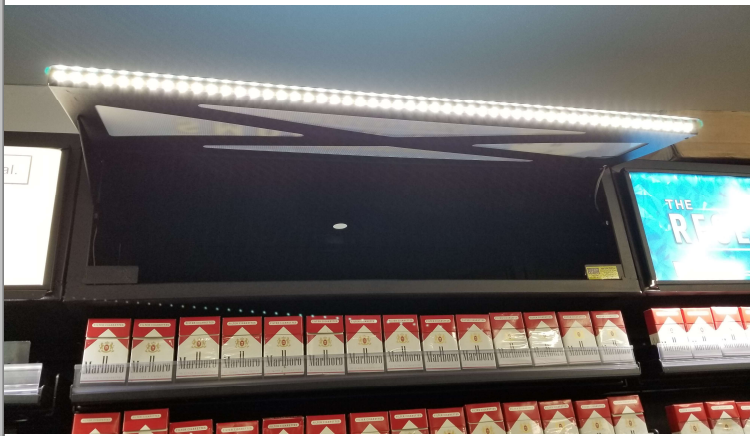


7/8" TOOTH SPACING



# CDW CREATIVE DISPLAY WORKS INC.

## LED Sign Headers with Downlight and Storage Behind



We build our LED headers into all our cabinets as standard equipment. The LED sign is designed to display translucent signage for your store and vendor promotions. The sign also acts as a hinged door that lifts up to reveal storage behind. An additional row of bright LED's shine down on the colorful product packaging below. Our LED headers are effective at helping making product bright and as attractive as possible.

LED sign headers are a Creative Display Works innovation. They're built into our tobacco and liquor displays because they're effective - and because our clients love them. We happen to love them too.

Sign dimensions: 3ft units (33.5" x 8.25") 2ft units (22.25" x 8.25")

[www.CreativeDisplayWorks.com](http://www.CreativeDisplayWorks.com)

# CDW CREATIVE DISPLAY WORKS INC.

## Locking Base Storage Available for Any CDW Tobacco Cabinet



3ft locking base storage



2ft lockable base storage

3ft x 21" tall locking base storage - double door & two keyed latching locks

2ft x 21" locking base storage unit - single door & one keyed latching lock



Locking base storage units available on any 2ft or 3ft wide cabinet. Image above shows 10ft x 90" tobacco bar with (2) 3ft and (2) 2ft locking base storage units added. Plexi-view backs option on cabs.





## CDW Tobacco Fixtures Price List – September 2024

90" tall standard height tobacco cabinets are our best sellers – all cabinets made to 15.5" depth

<b>Standard Cabinet dimensions</b>	Fixed pushers	Adjustable pushers
3' wide x 90" with LED header & 10 shelves -140 facings	\$1849	\$1925
2' wide x 90" with LED header & 10 shelves - 90 facings	\$1619	\$1699

<b>Custom cabinet dimensions</b>	Fixed pushers	Adjustable pushers
3' wide x 84" with LED header & 9 shelves – 126 facings	\$1700	\$1779
2' wide x 84" with LED header & 9 shelves – 81 facings	\$1548	\$1625
3' wide x 78" with LED header & 8 shelves – 112 facings	\$1612	\$1678
2' wide x 78" with LED header & 8 shelves – 72 facings	\$1510	\$1575
3' wide x 60" with LED header & 7 shelves – 98 facings	\$1528	\$1585
2' wide x 60" with LED header & 7 shelves – 63 facings	\$1488	\$1535
2' wide x 56" with LED header & 6 shelves – 54 facings	\$1375	\$1420
3' wide x 56" with LED header & 6 shelves – 84 facings	\$1425	\$1465

'No drinks' angled topper - welded to cabinet tops \$55.00 each

### **Locking base storage cabinets** – add to any 2ft or 3ft tobacco fixture

3' x 21" locking storage base cabinet, double door & lockset	\$425.00 each
2' x 21" locking storage base cabinet, single door & lockset	\$299.00 each

**Additional shelves available** – 90" cabinets include 10 shelves but can hold up to 12 max  
Adjustable shelves can convert to Zyn or chew shelves by removing parts and adjusting down facings

3' adjustable shelf with 14 pushers.....	\$98
2' adjustable shelf with 9 pushers.....	\$78
3' fixed cig shelf with 14 pushers.....	\$88
2' fixed cig shelf with 9 pushers.....	\$72
3' flat shelf with no pushers.....	\$42
2' flat shelf with no pushers.....	\$34
3' Mini liquor shelves, 18 fixed pushers.....	\$166
2' Mini liquor shelves, 12 fixed pushers.....	\$122

### **We can do your custom fabrication quote**

Contact us for custom requests or details on our other storage options, matching liquor cabinets, or available security door options.



## Lead Times - Shipping - Payment

### **Lead Times**

We manufacture for our corporate clients and for independent owners across the country. Sometimes our production line gets very busy, and we need 4 weeks or more to build and ship your fixtures. Other times, we may be able ship a standard set the same week the order is placed.

Lead times for new orders are *always* dependent on our current production schedule. Whenever possible, please place orders in advance when you know your 'need for' date. This allows us to help hit your target for arrival, or make sure we can build for you and deliver in time for a store opening.

### **Shipping**

We ship on pallets with notified lift gate delivery to the front of your store. You'll receive tracking info by email the day we ship your set, and the carrier will notify you again right before it arrives.

We quote shipping costs up front with your requested tobacco fixtures estimate. We shop four national carriers qualified to deliver our fixtures and offer you our lowest quote among them.

Shipping 95" tall pallets that weigh hundreds of pounds unfortunately isn't free :( Please note that it's also much cheaper for us to ship to AZ, CA, NV, UT, NM, & TX, and more expensive to ship to the Northeast US. But we happily quote every customer we can who asks for a price.

Also note that drivers will not bring cabinets into your store under any circumstances. Moving cabinets from delivered location is solely the responsibility of the buyer. We recommend a good furniture dolly and a qualified helper when moving the fixtures from pallet into your store.

### **Payment - required to start any order**

We accept Visa, MC, & AMEX through private payment link to start your order. Once you're happy with your quoted cabinets and shelves, payment can be made easily through a SwipeSimple payment link that we can send to you by both email and text.

Once we receive payment, your order is placed in que on our production schedule. Quotes are not orders until payment is received. You will receive an invoice marked 'paid' as your order confirmation and receipt once order is confirmed.

**We hope to build for you soon**